

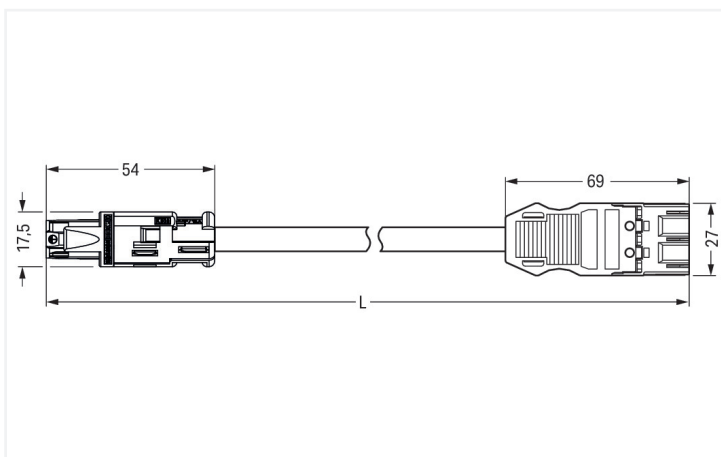
Data Sheet | Item Number: 774-9993/1507-801

pre-assembled adapter cable; Eca; Socket/plug MIDI; 3-pole; Cod. A; H05VV-F 3G
2.5 mm²; 8 m; 2,50 mm²; black

<https://www.wago.com/774-9993/1507-801>



Color: ■ black



Dimensions in mm

Cable assembly WINSTA® RD 3-pole

The WINSTA® RD cable assembly 3-pole allows installation of fine-stranded and solid conductors. WAGO pluggable installation connectors can be used when specifications repeat or are planned on a specified grid, for example for installing grid lighting or flush-mount lighting. The coding options reduce installation errors, allowing fast, secure wiring of all components. The pluggable installation connector is protected against ingress by solid objects in

accordance with protection type IP20 (When mated: IP2xC (These compact connectors are not designed for use in open, easily accessible areas!)). This pluggable installation connector can be used for a voltage load of up to 20 A. As a result, it can also be used for high power loads. WINSTA® RD: Solutions from this product line fit into drill holes and conduits with diameters up to 20 mm. Of course, the safety of buildings must always be ensured, even after the electrical installation has been performed. The required safety requirements in connection with EU CPR are met by this product through fire class E.

Pluggable connections instead of screw connections – cable assemblies from WAGO

The cable is pre-assembled with a RD socket and a MIDI plug. The WINSTA® Pluggable Connection System is perfectly tailored to the very strict requirements of building installation. It makes electrical installation pluggable, and consequently more efficient, more reliable, and error-free. Using this pre-assembled system reduces time spent on assembly and installation errors at the construction site. Take advantage of the pluggable version of our maintenance-free spring pressure connection technology too! Plan your installation with with fire class E from WAGO.

- effective protection against mismatching
- products perfectly tailored to your requirements guarantee safe use
- suitable for any application
- ready to install and use immediately
- rapid, structured electrical installation

Notes

Note Cables with a different fire class can be found in the eShop.

Electrical data

Ratings per	IEC/EN 60664-1		
Overvoltage category	III	III	II
Pollution degree	3	2	2
Nominal voltage	250 V	-	-
Rated impulse withstand voltage	4 kV	-	-
Rated current	20 A	-	-

General information

Note on contact resistance approx. 1 mΩ of contact resistance
approx. 0.25 mΩ contact transition plug/socket

Connection Data

Total number of potentials 3

Connection 1

Pole number 3
Wire cross-section 2.5 mm²
Connection type RD socket - MIDI plug

Physical data

Width 27 mm / 1.063 inches
Height 17.5 mm / 0.689 inches
Total length 8 m

Mechanical data

Use General mains applications
Coding A
Marking L ⊕ N
Potential marking N ⊕ L
Mating force of a plug-in connection Approx. 30 ... 70 N (depending on pole number)
Retention force of a plug-in connection when locked: > 80N
Unmating force of a plug-in connection Unlocked: approx. 30 ... 70 N (depending on pole number)
Number of mating cycles 200, without resistive load
Connection type RD socket - MIDI plug
Type of pre-assembled cable Adapter cable
Cable type H05VV-F 3G2.5

Mechanical data

Protection type	IP20; When mated: IP2xC (These compact connectors are not designed for use in open, easily accessible areas!)
-----------------	---------------------------------------------------------------------------------------------------------------

Plug-in connection

Mismating protection	Yes
Note on mismating protection	All <i>WINSTA</i> ® components are 100% protected against mismating when: a.) plugging different numbers of poles b.) plugging while incorrectly rotated c.) plugging while laterally staggered
Locking of plug-in connection	Locking lever

Material data

Note (material data)	Information on material specifications can be found here
Color	black
Insulation material (main housing)	Polyamide (PA66)
Fire class per EN 50575	E _{ca}
Contact material	Copper or copper alloy; surface-treated
Contact Plating	Tin
Fire load	239.191 MJ
Connector color	black
Strain relief color	black
Sheathed cable color	black
Printing color of sheathed cable	white
Halogen-free	No
Silicon-free	Yes
Sheath material	PVC
Rubber cable	No
Weight	1282.3 g
Copper weight of the raw cable	0.072 kg/m

Environmental requirements

Processing temperature	-5 ... +40 °C
Continuous operating temperature	-35 ... +85 °C
Note on continuous operating temperature	Cable for temperatures ≤ 70 °C (including halogen-free) Insulating parts for temperatures ≤ 105 °C

Commercial data

PU (SPU)	1 pcs
Packaging type	unpacked
Country of origin	DE
GTIN	4055143470780
Customs tariff number	85444290900

Product Classification

UNSPSC	26121629
eCl@ss 10.0	27-44-06-04
eCl@ss 9.0	27-44-06-04
ETIM 9.0	EC002587
ETIM 10.0	EC002587
ECCN	NO US CLASSIFICATION

Environmental Product Compliance

RoHS Compliance Status	Compliant, No Exemption
------------------------	-------------------------

Approvals / Certificates

General approvals **Declarations of conformity and manufacturer's declarations**



Approval	Standard	Certificate Name
CCA DEKRA Certification B.V.	EN 61535	NTR NL-7969
CCA DEKRA Certification B.V.	EN 61984	NTR NL-7848
KEMA/KEUR DEKRA Certification B.V.	EN 61535	71-123229
KEMA/KEUR DEKRA Certification B.V.	EN 61984	71-114944

Approval	Standard	Certificate Name
EU-Declaration of Confor- mity WAGO GmbH & Co. KG	-	-
UK-Declaration of Confor- mity WAGO GmbH & Co. KG	-	-

Downloads

Environmental Product Compliance

Compliance Search

Environmental Product Compliance 774-9993/1507-801	↓
-------------------------------------------------------	---

Documentation

Bid Text

774-9993/1507-801	19.02.2019	xml 2.95 KB	↓
774-9993/1507-801	19.02.2015	doc 23.50 KB	↓

CAD/CAE-Data

CAD data

2D/3D Models
774-9993/1507-801



CAE data

EPLAN Data Portal
774-9993/1507-801



1 Compatible Products

1.1 Required Accessories

1.1.1 Cover

1.1.1.1 Cover



Item No.: 770-360

Lockout cap; for plugs; 5-pole; separable;
yellow

1.1.2 Locking system

1.1.2.1 Locking system



Item No.: 770-101

Locking lever; for flying leads; for manual
operation; black



Item No.: 770-121

Locking lever; for flying leads; for manual
operation; white



Item No.: 770-111

Locking lever; for flying leads; for tool
operation; black



Item No.: 770-131

Locking lever; for flying leads; for tool
operation; white