

Product data sheet Spirotech

Product name

SpiroTrap -1½" -Hor

Product properties

A brass dirt separator with a 22 mm - 2" horizontal connection

- Very small particles, from 5 µm (= 0.005 mm) are separated and removed
- Dirt can be drained while the system is in operation
- No shut-off valves or bypass required
- Constant low pressure drop
- Maintenance only takes a few seconds and is not a dirty job compared to a filter solution
- Applicable with 50/50 Ethylene Glycol / Water (Volume)
- No unnecessary downtime
- Horizontal connections
- Connection diameters from 22 mm to 2" (G2)

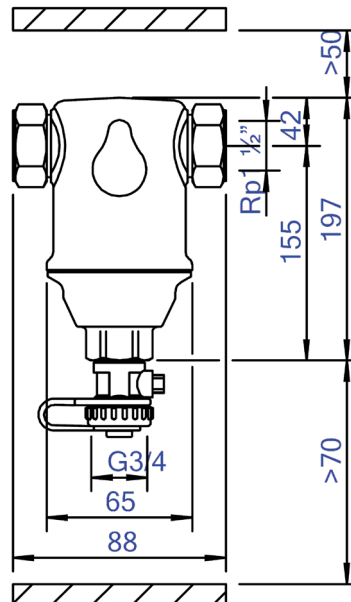
Article number

AE150

Product image



Product dimensions



Product data sheet Spirotech

ETIM product data

| | | | |
|---------------------------------|---|---------------------------------------|-------------------------|
| Housing material | Brass | Suitable for open system | No |
| With drain tap | Yes | Suitable for closed system | Yes |
| Housing material quality | Other | Suitable for solar | No |
| Backwash filter | No | Whirl operating principle | No |
| Medium temperature (continuous) | 0 - 110 °C | Negative pressure operating principle | No |
| Max. operating pressure | 10 bar | With dismountable filter | No |
| Kvs value | 43.85 | Filter volume | 0.32 l |
| Variable flow direction | Yes | Magnet operating principle | No |
| With insulation | No | Thrust operating principle | No |
| Separator type | Dirt | With automatic de-aerator | No |
| Connection | Internal thread cylindrical BSP-G (ISO 228-1) | Partial flow principle | No |
| Model | Horizontal | Principle full flow with settling | Yes |
| Nominal diameter | 1 1/2 inch (40) | Cleaning possible during operation | Yes |
| Max. glycol mixture | 50 % | With couplers | Yes |
| Suitable for heating | Yes | Inlet/outlet offset distance | 0 mm |
| Suitable for cooling | Yes | Material of connection | Brass |
| Construction length | 88 mm | Material quality connection | Other |
| Article compression class | PN 10 | Flow-through capacity | 0 - 5 m ³ /h |
| Surface protection | Untreated | | |

Disclaimer

This product sheet has been compiled with the greatest possible care. Nevertheless, it may contain errors or omissions. For the most current and correct information we refer you to our website.

