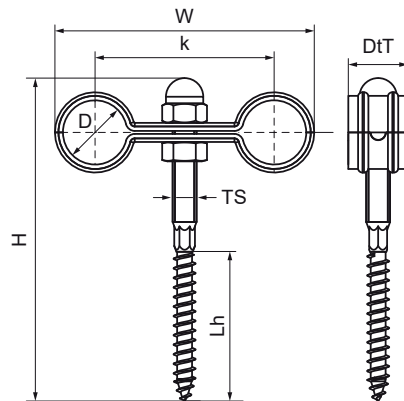


Walraven Double Wall Clamp

(B2015)

for heating pipes



Features & benefits

- for fixing of two pipes
- two parts of the clamp interlock
- bolt-wood screw with shoulder, making a lock nut unnecessary
- material: steel
- pre-galvanized

EPD

Product Number	Total Height	Total Width	Total Depth	Maximum Height	Heart To Heart Distance	Length Wood Thread	Thread Size	Max. Wall Distance Center Clamp	Min. Wall Distance Center Clamp	Maximum Allowed Load Faz	Maximum Allowed Load Fax
Reference letter	H	W	DtT	Ht,max	k	Lh	TS			Fa,z	Fa,x
Unit description	mm	mm	mm	mm	mm	mm		mm	mm	N	N
3505015	104	80	20	100	60	40	M8	45.8	45.8	230	200
3505022	106	87	20	104	60	40	M8	47.8	47.8	230	200
3505028	106	93	20	107	60	40	M8	47.8	47.8	230	330
3515015	126	80	20	120	60	48	M8	59.8	59.8	230	200
3515022	126	87	20	124	60	48	M8	59.8	59.8	230	200
3515028	126	93	20	127	60	48	M8	59.8	59.8	230	330