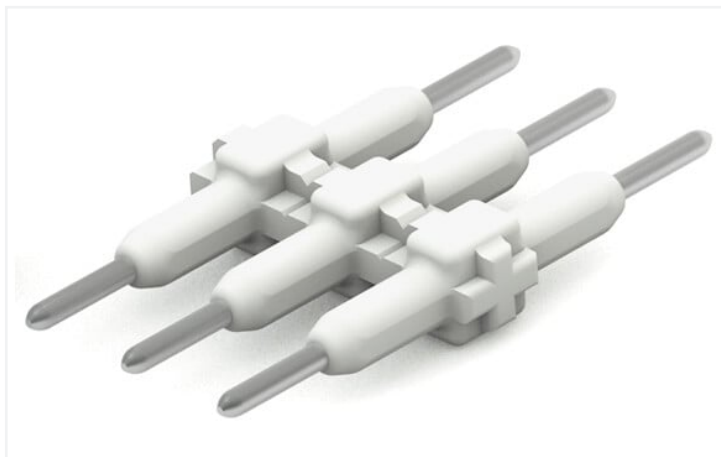


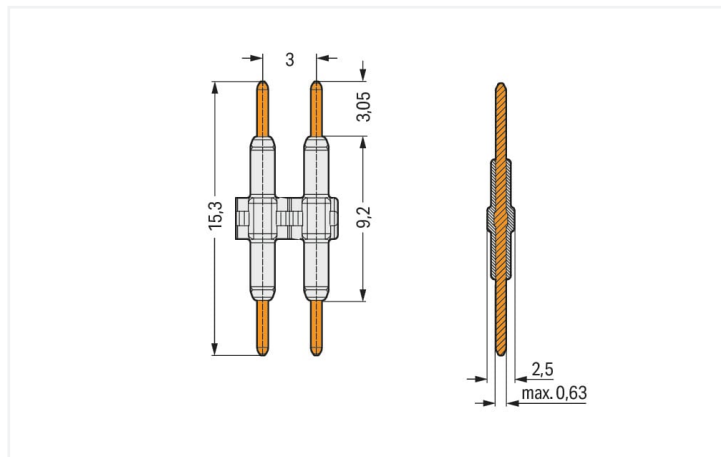
Data Sheet | Item Number: 2059-904/021-000

Board-to-Board Link; Pin spacing 3 mm; 4-pole; Length: 20.5 mm; white

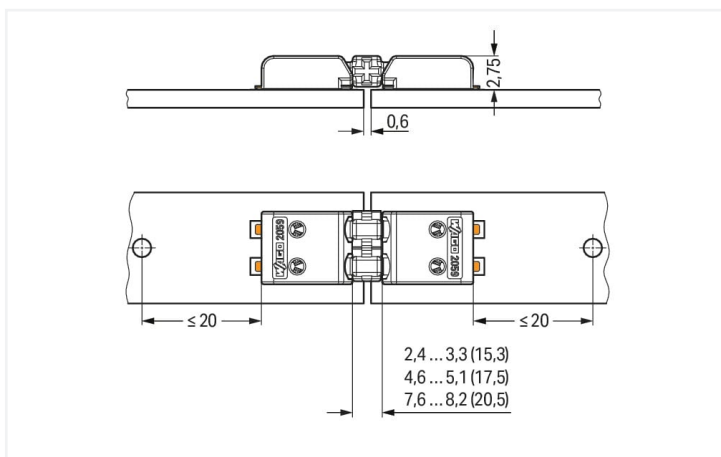
<https://www.wago.com/2059-904/021-000>



Color: ■ white



Dimensions in mm



Dimensions in mm

- Board-to-board link simplifies in-line assembly of LED modules
- Easy push-in connection and disconnection

Electrical data

Ratings per IEC/EN

| | |
|-------------------------------|---|
| Ratings per | IEC/EN 60664-1 |
| Nominal voltage (III/3) | 63 V |
| Rated impulse voltage (III/3) | 2.5 kV |
| Rated voltage (III/2) | 160 V |
| Rated impulse voltage (III/2) | 2.5 kV |
| Nominal voltage (II/2) | 320 V |
| Rated surge voltage (II/2) | 2.5 kV |
| Rated current | 3 A |
| Legend (ratings) | (III / 2) ≙ Overvoltage category III / Pollution degree 2 |

Connection data

| | | | |
|----------------------------|---|---------------------|---|
| Total number of potentials | 4 | Connection 1 | |
| | | Pole number | 4 |

Physical data

| | |
|-------------|------------------------|
| Pin spacing | 3 mm / 0.118 inches |
| Width | 11.7 mm / 0.461 inches |
| Height | 2.5 mm / 0.098 inches |
| Depth | 20.5 mm / 0.807 inches |

Mechanical data

| | |
|-------------------------|---|
| Mating cycles (max.) | 10 |
| Number of mating cycles | 10 connections/disconnections (max.) |
| Suitable | for SMD PCB terminal blocks (2059 Series) |

Material data

| | |
|----------------------|--|
| Note (material data) | Information on material specifications can be found here |
| Color | white |
| Contact material | Copper alloy |
| Contact plating | Silver |
| Fire load | 0.004 MJ |
| Weight | 0.4 g |

Environmental requirements

| | |
|-------------------------|-----------------|
| Limit temperature range | -60 ... +105 °C |
|-------------------------|-----------------|

Commercial data

| | |
|-----------------------|---------------|
| PU (SPU) | 250 pcs |
| Country of origin | CN |
| GTIN | 4055143609975 |
| Customs tariff number | 85369010000 |

Environmental Product Compliance

| | |
|------------------------|-------------------------|
| RoHS Compliance Status | Compliant, No Exemption |
|------------------------|-------------------------|

Approvals / Certificates

General approvals



| Approval | Standard | Certificate Name |
|---------------------------------|--------------|------------------|
| CCA DEKRA Certification B.V. | EN 60947-7-4 | NTR NL-7819 |
| CCA DEKRA Certification B.V. | EN 60947-7-4 | 71-111131 |
| CCA DEKRA Certification B.V. | EN 60838 | NTR NL-7720 |

General approvals

| | | |
|--|----------|-----------|
| cURus Underwriters Laboratories Inc. | UL 1059 | E45172 |
| KEMA/KEUR DEKRA Certification B.V. | EN 60838 | 71-106226 |
| UL Underwriters Laboratories Inc. | UL 1977 | E45171 |

Downloads

Environmental Product Compliance

Compliance Search

Environmental Product
Compliance
2059-904/021-000



Documentation

Additional Information

Technical Section

03.04.2019

pdf

2010.85 KB



CAD/CAE-Data

CAD data

2D/3D Models

2059-904/021-000

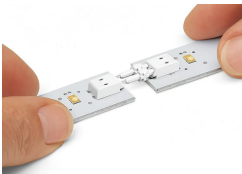


Installation Notes

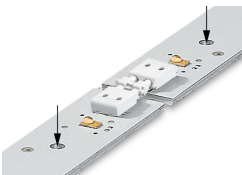
Installation



Installation



Installation



Subject to changes. Please also observe the further product documentation!

Current addresses can be found at: www.wago.com