

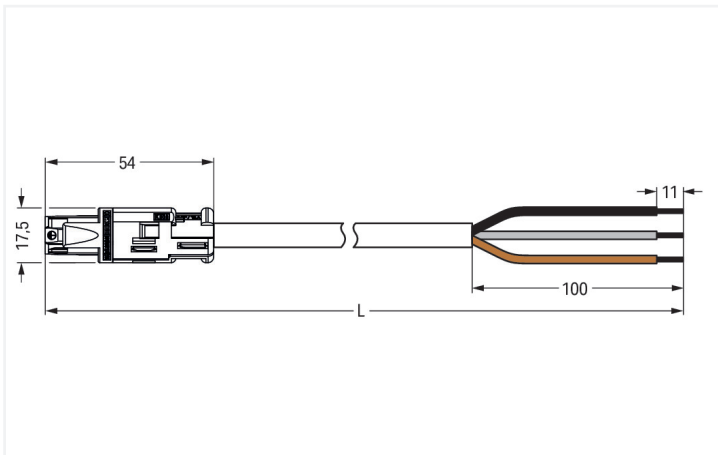
Data Sheet | Item Number: 774-9973/116-605

pre-assembled connecting cable; Eca; Socket/open-ended; 3-pole; Cod. S;
H05Z1Z1-F 3x1,5 mm²; 6 m; 1,50 mm²; brown

<https://www.wago.com/774-9973/116-605>



Color: ■ brown



Dimensions in mm

Cable assembly *WINSTA*® RD with protection against mismatching

Use effective pluggable connections instead of laborious screw connections: With the *WINSTA*® RD cable assembly rated current 16 A. Our pluggable installation connectors with spring pressure connection technology function entirely without screw connections. They allow resource-efficient, error-free installation in a large number of applications. The coding options reduce installation errors, allowing fast, maintenance-free wiring of all compo-



nents. The pluggable installation connector offers touch-proof protection with live components in accordance with protection type IP20 (When mated: IP2xC (These compact connectors are not designed for use in open, easily accessible areas!)). The WINSTA® RD offers a round design that is very good for use in conduits with an inner diameter of 20 mm, such as in construction of prefabricated houses. Of course, the safety of buildings must always be ensured, even after the electrical installation has been performed. The required safety requirements in connection with EU CPR are met by this product through fire class E. Eliminating halogens as an additive in the manufacture of this cable assembly substantially increases fire safety and reduces environmental pollution.

Pluggable connections instead of screw connections – cable assemblies from WAGO

A socket and a free end are provided. The WINSTA® Pluggable Connection System allows pluggable electrical installation. This saves time, lowers costs, and reduces the need for servicing. Choose quality and durability – with protection against mismatching from WAGO makes the installation of electrical components noticeably easier.

- protection against mismatching eliminates errors
- saves time, since no wiring is required at the construction site
- with S coding for AC applications of distributed components
- flexible installation to save space
- quick replacement of defective units during ongoing operation

Notes	
Note	Cables with a different fire class can be found in the eShop.

Electrical data			
Ratings per	IEC/EN 60664-1		
Overvoltage category	III	III	II
Pollution degree	3	2	2
Nominal voltage	250 V	-	-
Rated impulse withstand voltage	4 kV	-	-
Rated current	16 A	-	-

General information	
Note on contact resistance	approx. 1 mΩ of contact resistance approx. 0.25 mΩ contact transition plug/socket

Connection Data	
Total number of potentials	3
Conductor preparation	ultrasonically tip-bonded

Connection 1	
Strip length	11 mm / 0.43 inches
Pole number	3
Wire cross-section	1.5 mm ²
Strip length (outer insulation)	100 mm
Connection type	Socket - free end

Physical data	
Width	17.5 mm / 0.689 inches
Height	17.5 mm / 0.689 inches
Total length	6 m

Mechanical data

Use	Switching function
Coding	S
Variable coding	No
Marking	1 2 L
Mating force of a plug-in connection	Approx. 30 ... 70 N (depending on pole number)
Retention force of a plug-in connection	when locked: > 80N
Unmating force of a plug-in connection	Unlocked: approx. 30 ... 70 N (depending on pole number)
Number of mating cycles	200, without resistive load
Connection type	Socket - free end
Type of pre-assembled cable	Connecting cable
Cable type	H05Z1Z1-F 3x1.5
Protection type	IP20; When mated: IP2xC (These compact connectors are not designed for use in open, easily accessible areas!)

Plug-in connection

Mismating protection	Yes
Note on mismating protection	All <i>WINSTA</i> ® components are 100% protected against mismating when: a.) plugging different numbers of poles b.) plugging while incorrectly rotated c.) plugging while laterally staggered
Locking lever	Yes
Locking of plug-in connection	Locking lever

Material data

Note (material data)	Information on material specifications can be found here
Color	brown
Insulation material (main housing)	Polyamide (PA66)
Fire class per EN 50575	E _{ca}
Contact material	Copper or copper alloy; surface-treated
Contact Plating	Tin
Fire load	179.354 MJ
Connector color	brown
Strain relief color	black
Sheathed cable color	black
Printing color of sheathed cable	white
Halogen-free	Yes
Silicon-free	Yes
Sheath material	Halogen-free
Rubber cable	No
Weight	590 g
Copper weight of the raw cable	0.043 kg/m

Environmental requirements

Processing temperature	-5 ... +40 °C
Continuous operating temperature	-35 ... +85 °C
Note on continuous operating temperature	Cable for temperatures ≤ 70 °C (including halogen-free) Insulating parts for temperatures ≤ 105 °C

Commercial data

PU (SPU)	1 pcs
Packaging type	unpacked
Country of origin	DE
GTIN	4055143522618
Customs tariff number	85444290900

Product Classification

UNSPSC	26121629
eCl@ss 10.0	27-44-06-04
eCl@ss 9.0	27-44-06-04
ETIM 9.0	EC002587
ETIM 10.0	EC002587
ECCN	NO US CLASSIFICATION

Environmental Product Compliance

RoHS Compliance Status	Compliant, No Exemption
------------------------	-------------------------

Approvals / Certificates

General approvals



Approval	Standard	Certificate Name
CCA DEKRA Certification B.V.	EN 61535	NTR NL-7969
CCA DEKRA Certification B.V.	EN 61984	NTR NL-7848
KEMA/KEUR DEKRA Certification B.V.	EN 61535	71-123229
KEMA/KEUR DEKRA Certification B.V.	EN 61984	71-114944

Declarations of conformity and manufacturer's declarations

Approval	Standard	Certificate Name
EU-Declaration of Confor- mity WAGO GmbH & Co. KG	-	-
UK-Declaration of Confor- mity WAGO GmbH & Co. KG	-	-

Downloads

Environmental Product Compliance

Compliance Search

Environmental Product Compliance 774-9973/116-605	↓
---	---

Documentation

Bid Text

774-9973/116-605	19.02.2019	xml 3.05 KB	↓
774-9973/116-605	19.02.2015	doc 24.00 KB	↓

CAD/CAE-Data

CAD data

2D/3D Models 774-9973/116-605	↓
----------------------------------	-------------------

CAE data

WSCAD Universe 774-9973/116-605	↓
ZUKEN Portal 774-9973/116-605	↓