

Product data sheet Spirotech

Product name

SpiroVent -22mm -Hor -HighT

Product properties

A brass (microbubble) deaerator for high-temperature systems (max. 180 °C), with a 22 mm - 1½" horizontal connection

- Removes all circulating air and microbubbles effectively
- Applicable with 50/50 Glycol / Water (Volume)
- Applicable for high temperature system configurations
- Removes trapped air when installed at the correct location
- Greatly reduces the need for manual venting
- Constant low-pressure drop
- No unnecessary shutdown
- Connection diameters from 22 mm to 1½" (G1½)
- Exceptional guarantee

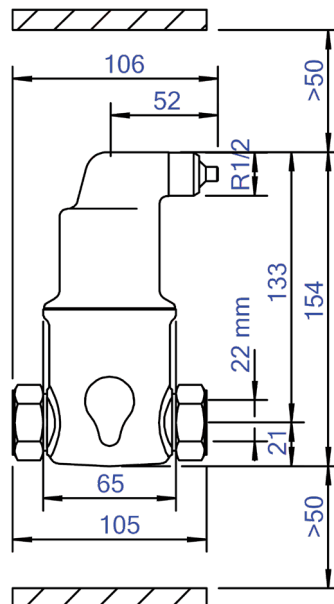
Article number

AA022/002

Product image



Product dimensions



Product data sheet Spirotech

ETIM product data

| | |
|---------------------------------|------------------|
| Housing material | Brass |
| With drain tap | No |
| Housing material quality | Other |
| Backwash filter | No |
| Medium temperature (continuous) | 0 - 180 °C |
| Max. operating pressure | 10 bar |
| Kvs value | 10.96 |
| Variable flow direction | Yes |
| With insulation | No |
| Separator type | Air |
| Connection | Compression ring |
| Model | Horizontal |
| Nominal diameter | Other |
| Max. glycol mixture | 50 % |
| Suitable for heating | Yes |
| Suitable for cooling | Yes |

| | |
|------------------------------|---------------------------|
| Outer pipe diameter | 22 mm |
| Construction length | 106 mm |
| Article compression class | PN 10 |
| Surface protection | Untreated |
| Suitable for open system | No |
| Suitable for closed system | Yes |
| Suitable for solar | No |
| With dismountable filter | No |
| Filter volume | 0.18 l |
| Magnet operating principle | No |
| With automatic de-aerator | Yes |
| With couplers | Yes |
| Material of connection | Brass |
| Inlet/outlet offset distance | 0 mm |
| Material quality connection | Other |
| Flow-through capacity | 0 - 1.3 m ³ /h |

Disclaimer

This product sheet has been compiled with the greatest possible care. Nevertheless, it may contain errors or omissions. For the most current and correct information we refer you to our website.

