

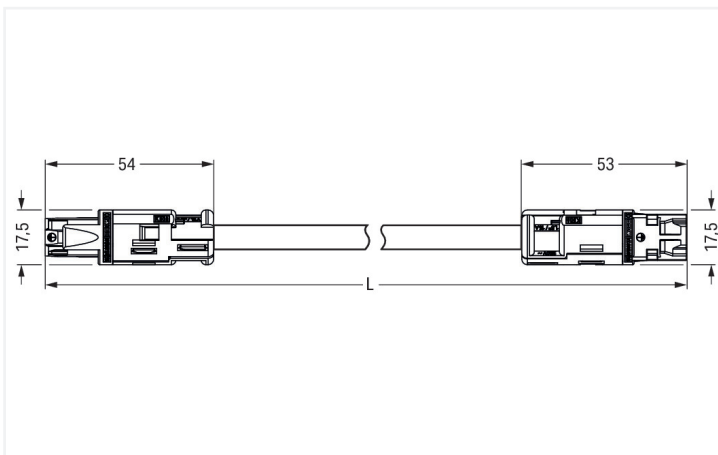
**Data Sheet | Item Number: 774-9973/016-105**

pre-assembled interconnecting cable; Eca; Socket/plug; 3-pole; Cod. S; H05Z1Z1-F  
3x1,5 mm<sup>2</sup>; 1 m; 1,50 mm<sup>2</sup>; brown

<https://www.wago.com/774-9973/016-105>



Color: ■ brown



Dimensions in mm

Cable assembly WINSTA® RD rated current 16 A

The WINSTA® RD cable assembly with locking latch is the pluggable solution for your use in control cabinets, for lighting connections or on PCBs. The pluggable installation connectors with spring pressure connection technology work completely without screw connections. They allow fast, efficient, error-free installation in numerous applications. The coding options reduce installation errors, allowing fast, secure wiring of all components. The plug-

gable installation connector is protected in accordance with protection type IP20 (When mated: IP2xC (These compact connectors are not designed for use in open, easily accessible areas!)). This means that users' fingers will never come into contact with electrified elements. The WINSTA® RD features a round design that is very good for use in conduits with an inner diameter of 20 mm, such as in the prefabricated house sector. This product meets all the relevant fire protection requirements of fire class E; thus it can be used in domains where fire safety is relevant. Not using halogen additives in the production of this cable assembly substantially improves fire safety and minimises environmental contamination.

Fast, secure pluggable connections – cable assemblies from WAGO

A socket and a plug are provided. WINSTA® is the pluggable connection system that is perfectly tailored to the strict requirements of electrical installation. It ensures fast, secure and, above all, error-free installation of components and cables. Now you can also lower installation expenses without compromising safety and quality: with fire class E eliminates the need for servicing and prevents unnecessary downtime.

- protection against mismatching eliminates errors
- saves time, since no wiring is required at the construction site
- with S coding for AC applications of distributed components
- ready to install and use immediately
- quick replacement of defective units during ongoing operation

## Notes

Note Cables with a different fire class can be found in the eShop.

## Electrical data

Ratings per	IEC/EN 60664-1		
Overvoltage category	III	III	II
Pollution degree	3	2	2
Nominal voltage	250 V	-	-
Rated impulse withstand voltage	4 kV	-	-
Rated current	16 A	-	-

## General information

Note on contact resistance approx. 1 mΩ of contact resistance  
approx. 0.25 mΩ contact transition plug/socket

## Connection Data

Total number of potentials 3

## Connection 1

Pole number 3  
Wire cross-section 1.5 mm<sup>2</sup>  
Connection type Socket - Plug

## Physical data

Width 17.5 mm / 0.689 inches  
Height 17.5 mm / 0.689 inches  
Total length 1 m

## Mechanical data

Use Switching function  
Coding S  
Variable coding No  
Marking 1 2 L  
Mating force of a plug-in connection Approx. 30 ... 70 N (depending on pole number)  
Retention force of a plug-in connection when locked: > 80N  
Unmating force of a plug-in connection Unlocked: approx. 30 ... 70 N (depending on pole number)  
Number of mating cycles 200, without resistive load  
Connection type Socket - Plug  
Type of pre-assembled cable Interconnecting cable  
Cable type H05Z1Z1-F 3x1.5

### Mechanical data

Protection type	IP20; When mated: IP2xC (These compact connectors are not designed for use in open, easily accessible areas!)
-----------------	---

### Plug-in connection

Mismating protection	Yes
Note on mismating protection	All <i>WINSTA</i> ® components are 100% protected against mismating when: a.) plugging different numbers of poles b.) plugging while incorrectly rotated c.) plugging while laterally staggered
Locking lever	Yes
Locking of plug-in connection	Locking lever

### Material data

Note (material data)	<a href="#">Information on material specifications can be found here</a>
Color	brown
Insulation material (main housing)	Polyamide (PA66)
Fire class per EN 50575	E <sub>ca</sub>
Contact material	Copper or copper alloy; surface-treated
Contact Plating	Tin
Fire load	28.738 MJ
Connector color	brown
Strain relief color	black
Sheathed cable color	black
Printing color of sheathed cable	white
Halogen-free	Yes
Silicon-free	Yes
Sheath material	Halogen-free
Rubber cable	No
Weight	106.6 g
Copper weight of the raw cable	0.043 kg/m

### Environmental requirements

Processing temperature	-5 ... +40 °C
Continuous operating temperature	-35 ... +85 °C
Note on continuous operating temperature	Cable for temperatures ≤ 70 °C (including halogen-free) Insulating parts for temperatures ≤ 105 °C

### Commercial data

PU (SPU)	1 pcs
Packaging type	unpacked
Country of origin	DE
GTIN	4055143522434
Customs tariff number	85444290900

### Product Classification

UNSPSC	26121629
eCl@ss 10.0	27-44-06-04
eCl@ss 9.0	27-44-06-04
ETIM 9.0	EC002587
ETIM 10.0	EC002587
ECCN	NO US CLASSIFICATION

### Environmental Product Compliance

RoHS Compliance Status	Compliant, No Exemption
------------------------	-------------------------

### Approvals / Certificates

#### General approvals



Approval	Standard	Certificate Name
CCA DEKRA Certification B.V.	EN 61535	NTR NL-7969
CCA DEKRA Certification B.V.	EN 61984	NTR NL-7848
KEMA/KEUR DEKRA Certification B.V.	EN 61535	71-123229
KEMA/KEUR DEKRA Certification B.V.	EN 61984	71-114944

#### Declarations of conformity and manufacturer's declarations

Approval	Standard	Certificate Name
EU-Declaration of Confor- mity WAGO GmbH & Co. KG	-	-
UK-Declaration of Confor- mity WAGO GmbH & Co. KG	-	-

### Downloads

#### Environmental Product Compliance


##### Compliance Search

Environmental Product  
Compliance  
774-9973/016-105



### Documentation

#### Bid Text

Item Number	Date	File Name	Size	Download
774-9973/016-105	19.02.2019	xml	2.97 KB	
774-9973/016-105	19.02.2015	doc	24.00 KB	