

Concord

EXPOSPOT 90 MONO HE RA90 3000K NB WHITE 2070047



Features

- Integrated LED gimbal accent downlight, single head, ideal for retail and display applications, die-cast aluminium body, passive cooling, beam angle: 25°, optics: aluminium reflector and lens combination, colour temperature: 3000K warm white, total system power: 28W, total fixture output: 2536lm, 91lm/W, LOR: 100%, colour rendering: Ra 90 typical, LED Chromacity: 3 step MacAdam ellipse, IR/UV free light source without heat radiation, operating voltage: 220-240V / 50-60Hz, electronic driver, non-dimmable, electrical protection: CLASS II, ingress protection rating: IP20, suitable for internal environment only, ceiling cut-out: 148x148mm, dimensions: 163x163x104mm, weight: 0.77kg.

Product Overview

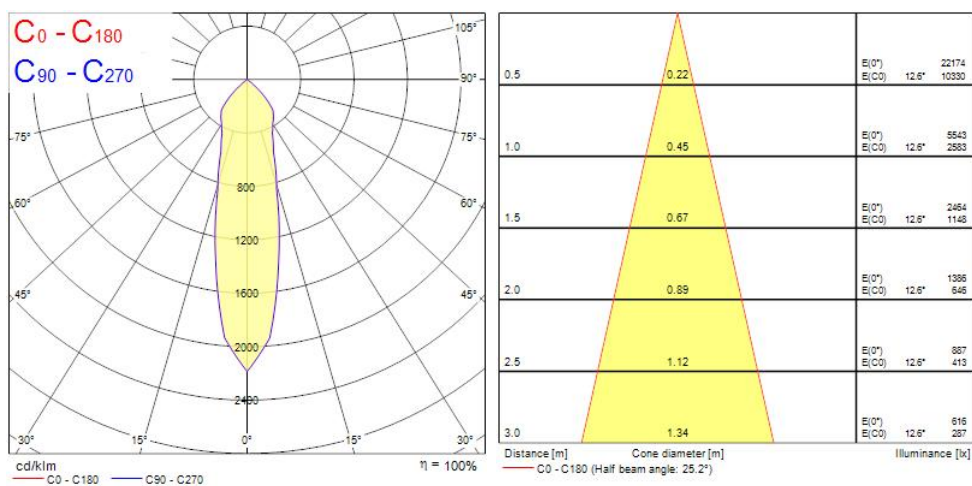
| | |
|---------------------------------|---|
| Product name | EXPOSPOT 90 MONO HE RA90 3000K NB WHITE |
| Technology | LED |
| Cap/Base | N/A |
| Housing | Aluminium |
| Mount | Ceiling recessed mounting |
| Fixture rating | Enclosed |
| Fixture luminous flux (lm) | 2536 |
| Luminaire efficacy (lm/W) | 91 |
| LOR (%) | 100 |
| Colour temperature (K) | 3000 |
| Light colour | Warm White |
| CRI (Ra) | 90 |
| Colour Variation Initial (SDCM) | 3 |
| Photobiological Risk Group | RG1 |
| Total power consumption (W) | 28 |
| Electrical protection | Class II |

Concord

EXPOSPOT 90 MONO HE RA90 3000K NB WHITE 2070047

| | |
|-----------------------|--------------------|
| Control gear type | Electronic ballast |
| Control gear mounting | Remote |
| Housing colour | White |
| IP rating | IP20 |
| IK rating | IK02 |
| Product EAN number | 5025768700479 |
| Warranty | 5 years |

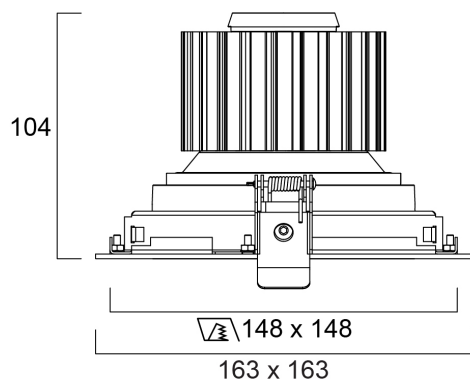
Photometry



Concord

EXPOSPOT 90 MONO HE RA90 3000K NB WHITE 2070047

Technical drawings



Data table

GENERAL DATA

| | |
|---|---|
| Product name | EXPOSPOT 90 MONO HE RA90 3000K NB WHITE |
| Technology | LED |
| Cap/Base | N/A |
| Housing | Aluminium |
| Mount | Ceiling recessed mounting |
| Fixture rating | Enclosed |
| Operating temperature range (°C) | 25°C...+25°C |
| Performance ambient temperature Tq (°C) | 25 |
| Warranty | 5 years |

OPTICAL DATA

| | |
|----------------------------|------|
| Fixture luminous flux (lm) | 2536 |
| Luminaire efficacy (lm/W) | 91 |
| LOR (%) | 100 |
| Colour temperature (K) | 3000 |

Concord

EXPOSPOT 90 MONO HE RA90 3000K NB WHITE 2070047

| | |
|---------------------------------|------------|
| Light colour | Warm White |
| CRI (Ra) | 90 |
| Colour Variation Initial (SDCM) | 3 |
| Photobiological Risk Group | RG1 |

ELECTRICAL DATA

| | |
|--|--------------------|
| Total power consumption (W) | 28 |
| Primary Supply/Product voltage - min (V) | 220 |
| Lamp power factor | 0.92 |
| Electrical protection | Class II |
| Control gear required | No |
| Control gear type | Electronic ballast |
| Control gear mounting | Remote |
| Drive current (mA) | 700 |
| Inrush Current (A) | 19.4 |
| Inrush Duration (μ s) | 250 |
| Glow Wire Test ($^{\circ}$ C) | 850 |
| Energy Efficiency Class (A->G) of contained light source | E |
| Nominal Frequency (Hz) | 50/60Hz |
| Max. products per 10A C Breaker | 21 |
| Max. products per 20A B Breaker | 27 |
| Connectable conductor cross section - Min (mm ²) | 0.5 |
| Connectable conductor cross section - Max (mm ²) | 1.5 |

LIFETIME DATA

| | |
|------------------|--------|
| Lifespan L70 B50 | 100000 |
| Lifespan L80 B20 | 100000 |
| Lifespan L90 B10 | 54500 |

PHYSICAL DATA

| | |
|----------------|-------|
| Housing colour | White |
|----------------|-------|

Concord

EXPOSPOT 90 MONO HE RA90 3000K NB WHITE 2070047

| | |
|-------------------------------|-------|
| IP rating | IP20 |
| IK rating | IK02 |
| Diffuser finish | Other |
| Diffuser material | Other |
| Nominal Product Width (mm) | 163 |
| Nominal Product Diameter (mm) | 163 |
| Weight (kg) | 0.77 |
| Recessed Depth (mm) | 104 |

PACKAGING

| | |
|--------------------------------------|----------------|
| Single packaging type | Carton |
| Product EAN number | 5025768700479 |
| Packaging single width (cm) | 18.0 |
| Packaging single depth (cm) | 16.0 |
| DUN14 (outer) | 05025768700479 |
| Packaging outer length / height (cm) | 18.0 |

SAFETY DATA

| | |
|-------------------------------------|-------|
| Optimal operating condition (°C) | 25-25 |
| Special purpose lamp | No |
| Dry applications use only | No |
| Suitable for household illumination | No |