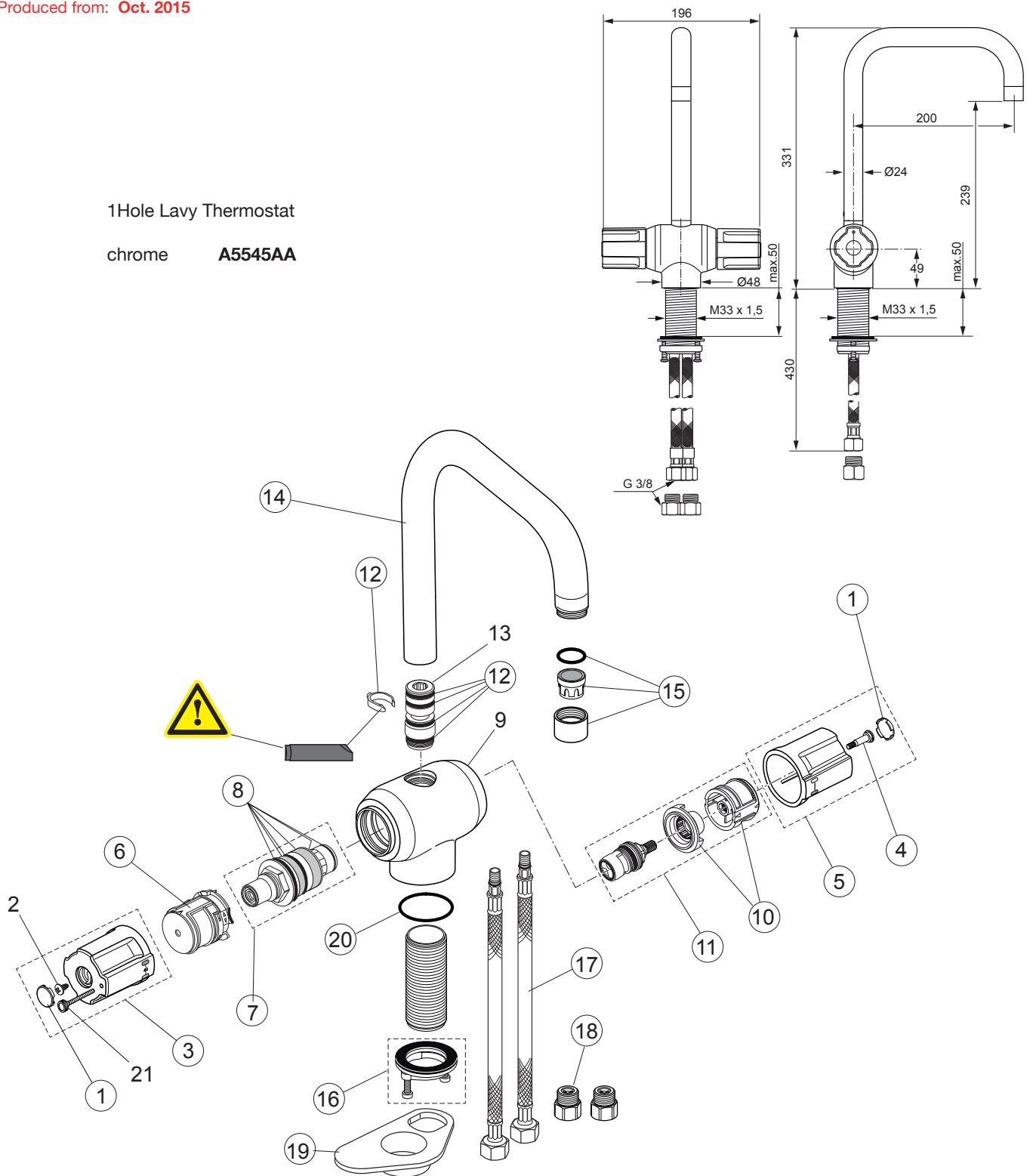


Produced from: Oct. 2015

1Hole Lavy Thermostat

chrome **A5545AA**

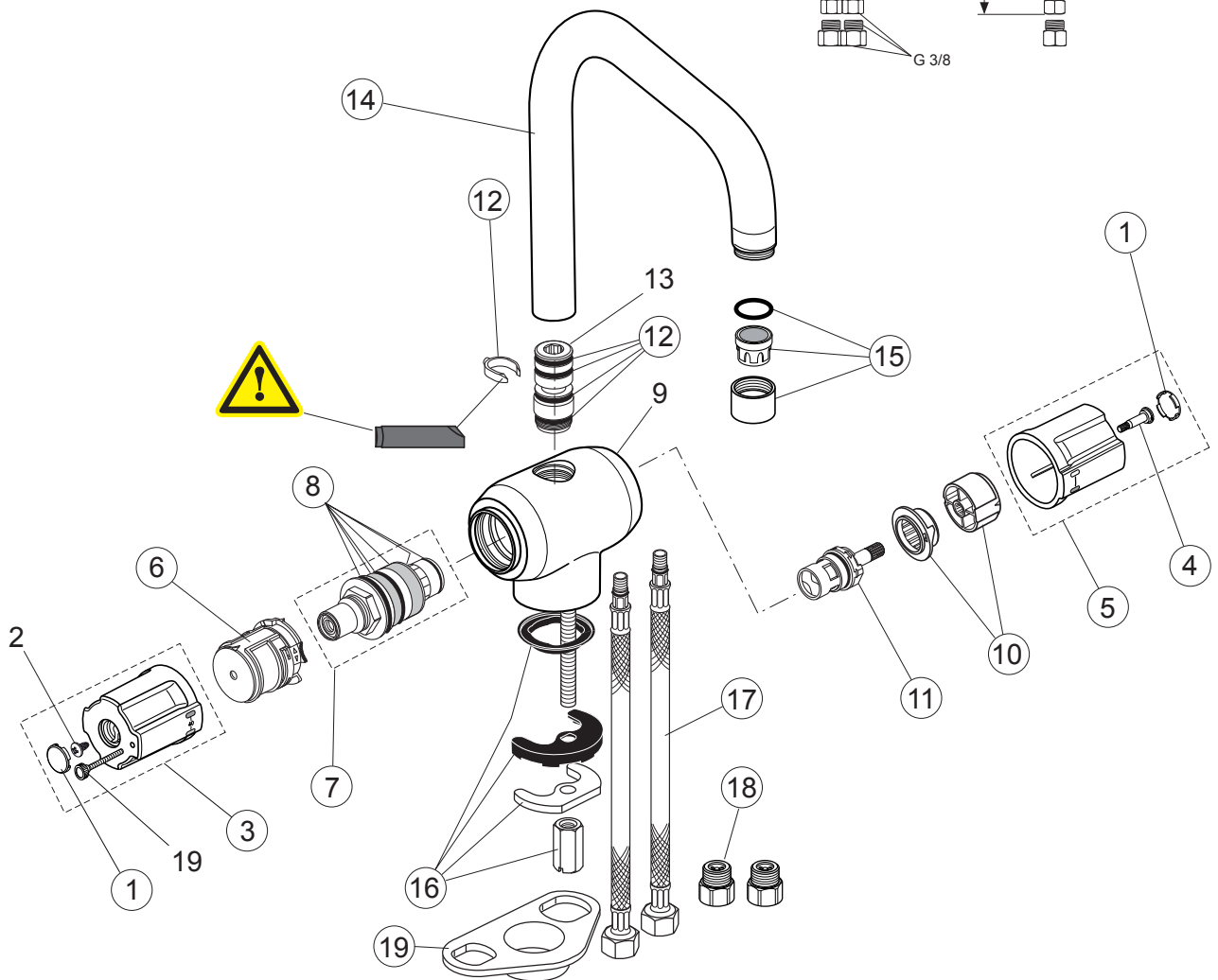
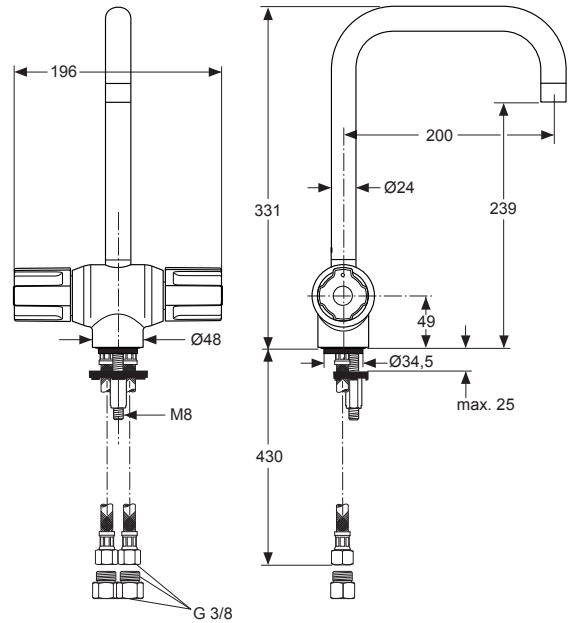


Pos.	Description	Part-Number	Qty.	Pos.	Description	Part-Number	Qty.
1	Cap for handle w/o Logo	E 960 641 AA	1 pcs	13	Nipple for spout		
2	Screw Ejot PT KB50x10			14	Spout without aerator	A 961 789 AA	1 pcs
3	Handle f. temperature cpl.	A 963 213 AA	1 pcs	15	Aerator M22x1 -A-	A 961 883 AA	1 pcs
4	Screw M4 L=23,5	A 962 998 NU	2 pcs	16	Fixation set	A 960 263 NU	1 Set
5	Volume control handle	A 963 214 AA	1 pcs	17	Flex. hose M10x1 / G3/8	A 963 600 NU	1 pcs
6	Temp. adjustment cpl.	A 961 889 NU	1 Set	18	Non-return valve	A 961 909 AA	2 pcs
7	Thermostatic Cartridge	F 961 044 NU	1 pcs	19	Stabalizing Plate	A 962 328 NU	1 pcs
8	Repair-Set Cartridge	A 962 230 NU	1 Set	20	O-Ring 40x2,50	A 860 070 NU	1 pcs
9	Body			21	Knurled head screw M3x30		
10	Handle insert + stopring	A 963 432 NU*	1 Set				
11	Cartridge G1/2	A 861 243 NU	1 pcs				
12	Repair set spout cpl.	F 960 031 NU	1 Set				

* Universal-Set (not all parts needed)

Produced from: **June 2010 - Oct. 2015**

1Hole Lavy Thermostat
chrome **A5545AA**



Pos.	Description	Part-Number	Qty.	Pos.	Description	Part-Number	Qty.
1	Cap for handle w/o Logo	E 960 641 AA	1 pcs	11	Headwork (Cartridge)	A 963 033 NU	1 pcs
2	Screw Ejot PT KB50x10			12	Repair set spout cpl.	F 960 031 NU	1 Set
3	Handle f. temperature cpl.	A 963 213 AA	1 pcs	13	Nipple for spout		
4	Screw M4 L=23,5	A 962 998 NU	2 pcs	14	Spout without aerator	A 961 789 AA	1 pcs
5	Volume control handle	A 963 214 AA	1 pcs	15	Aerator M22x1 -A-	A 961 883 AA	1 pcs
6	Temp. adjustment cpl.	A 961 889 NU	1 Set	16	Fixation set	A 962 139 NU	1 Set
7	Thermostatic Cartridge	F 961 044 NU	1 pcs	17	Flex. hose M10x1 / G3/8	A 963 600 NU	1 pcs
8	Repair-Set Cartridge	A 962 230 NU	1 Set	18	Non-return valve	A 961 909 AA	2 pcs
9	Body			19	Knurled head screw M3x30		
10	Handle insert + stopring	A 963 432 NU	1 Set				