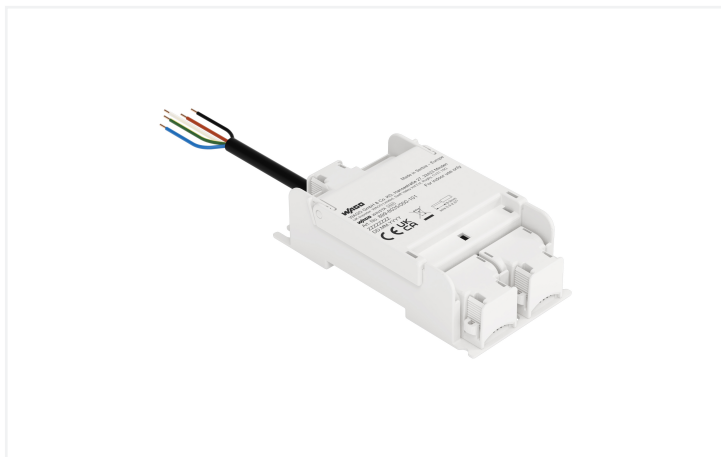


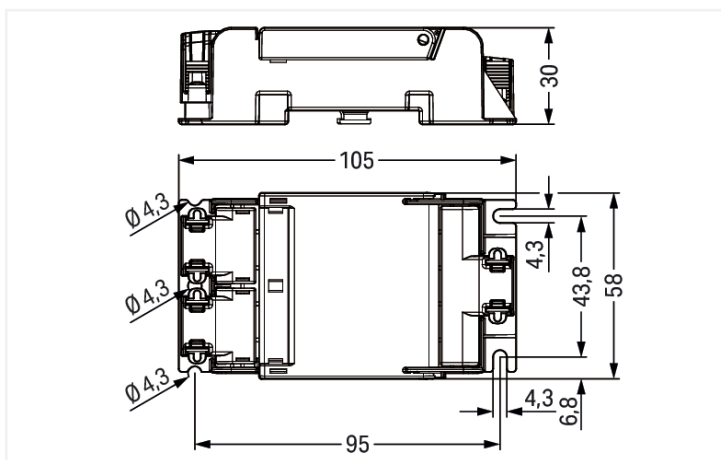
# Data Sheet | Item Number: 899-8035/000-101

Connection box; for lighting and electrical equipment; with Linect® interface; white

<https://www.wago.com/899-8035/000-101>



Color: ■ white



## This item includes:



Item No.: 294-8035

Lighting connector; push-button, external; for Linect®; without ground contact; DA+ DA- L PE N; 5-pole; Cod. I; Lighting side: for solid conductors; Inst. side: for all conductor types; max. 2.5 mm<sup>2</sup>; Surrounding air temperature: max 85°C (T85); 2,50 mm<sup>2</sup>; white

## Electrical data

Ratings	Connection points		
	IEC/EN 60998-1	IEC/EN 60998-1	IEC/EN 60998-1
Ratings per			
Overvoltage category	III	III	II
Pollution degree	3	2	2
Nominal voltage	-	-	500 V
Rated surge voltage	-	-	4 kV
Rated current	-	-	24 A

Ratings	Connection points		
	IEC/EN 60998-2-2	IEC/EN 60998-2-2	IEC/EN 60998-2-2
Ratings per			
Overvoltage category	III	III	II
Pollution degree	3	2	2
Nominal voltage	-	-	500 V
Rated surge voltage	-	-	4 kV
Rated current	-	-	24 A

Ratings	Linect® plug-in connection		
	IEC/EN 61984	IEC/EN 61984	IEC/EN 61984
Ratings per			
Overvoltage category	III	III	II
Pollution degree	3	2	2
Nominal voltage	-	-	500 V
Rated surge voltage	-	-	4 kV
Rated current	-	-	16 A

Connection data	
Number of connection types	1
<b>Connection 1</b>	
Pole number	5

Physical data	
Width	58 mm / 2.283 inches
Height	105 mm / 4.134 inches
Depth	30 mm / 1.181 inches

Mechanical data	
Marking	N L DA- DA+

Material data	
Note (material data)	<a href="#">Information on material specifications can be found here</a>
Color	white
Cover color	white
Insulation material	Polycarbonate (PC)
Flammability class per UL94	V0
Fire load	0 MJ
Weight	74 g

Commercial data	
PU (SPU)	10 pcs
Country of origin	XS
GTIN	4066966343168
Customs tariff number	85366990990

Environmental Product Compliance	
RoHS Compliance Status	Compliant, No Exemption

## Downloads

### Environmental Product Compliance

#### Compliance Search

Environmental Product  
Compliance  
899-8035/000-101



## Documentation

### Additional Information

Technical Section

03.04.2019

pdf

2027.26 KB

