

Technische Daten/ Technical Data

KLUDI RENON

single lever basin mixer 110

DN 15

Ref.:42288N175

Finishes:

N1 Brushed Bronze PVD

Product description

Manufacturer KLUDI GmbH & Co. KG

Typ: KLUDI RENON

single lever basin mixer 110

Ref.: 42288N175

basin mixer

single lever mixer

1-hole mounted

solid lever, metal

aerator M18,5 PCA

ceramic cartridge with hot water safety device

flow rate at 3 bar 4,5 l/min.

flexible hoses G3/8 DVGW approved

rapid installation set

push open waste G1 1/4

for washbasin with overflow

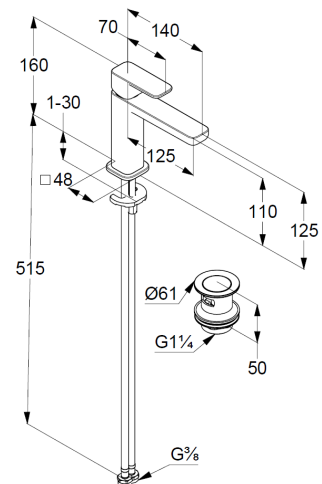
EU taxonomy: max. 6 l/min. -

Substantial Contribution (SC) possible

Produktabbildung/ Product picture



Maßzeichnung/ Dimensional drawing



Durchfluss/ Flow rate

