

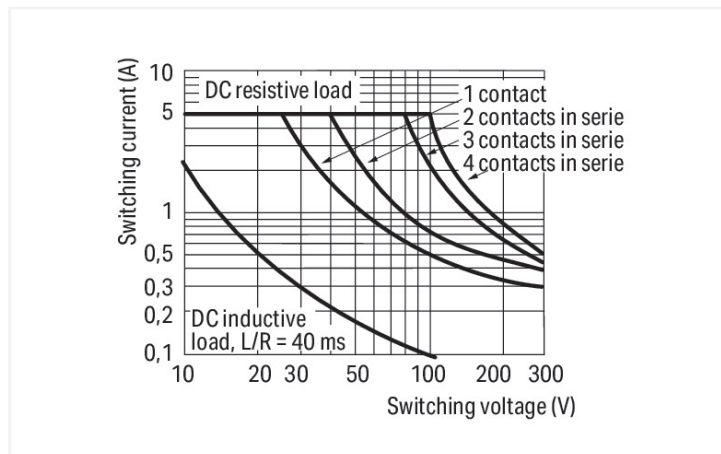
## Data Sheet | Item Number: 858-162

Basic relay; Nominal input voltage: 110 VDC; 4 changeover contacts; Limiting continuous current: 5 A; with manual operation; Module width: 22 mm; Module height: 35mm

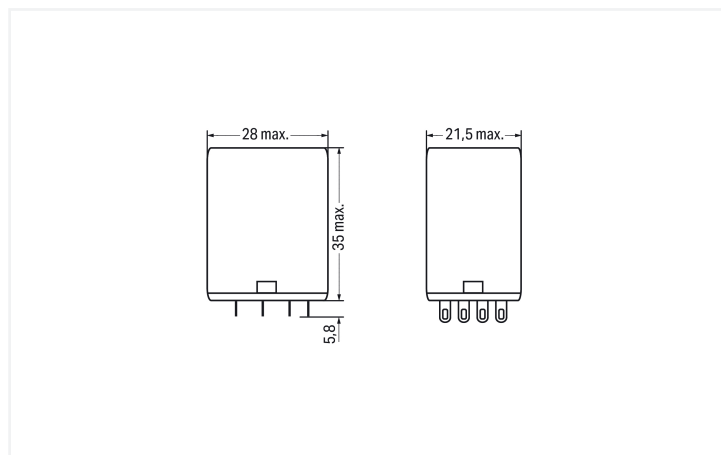
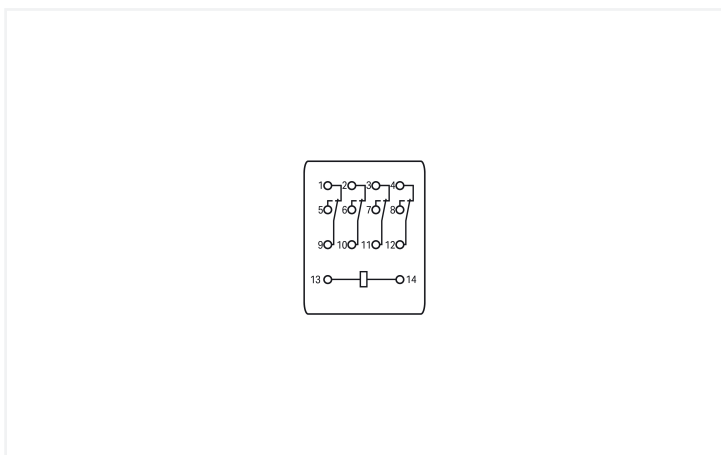
<https://www.wago.com/858-162>



Similar to illustration



DC load limit curve



Dimensions in mm

### Technical data

Control circuit	
Nominal input voltage $U_N$	110 VDC
Nominal input current at $U_N$	10 mA

Load circuit	
Number of changeover/switchover contacts	4
Contact material (relay)	AgCe
Limiting continuous current	5 A
Inrush current (resistive) max.	(AC) 15 A / 4 s
Switching Voltage, Max.	250 VAC
Switching power (resistive) max.	AC 1250 VA; DC (see load limit curve)
Recommended minimum load	12 V / 100 mA
Pull-in time (typ.)	25 ms
Drop-out time (typ.)	25 ms
Bounce time (typ.)	4 ms
Electrical life (NO; resistive load; 23 °C)	100 x 10 <sup>3</sup> switching operations
Mechanical life	20 x 10 <sup>6</sup> switching operations

### Signaling

Status indicator	Red LED Mechanical
------------------	-----------------------

### Safety and protection

Dielectric strength (control/load circuit) (AC, 1 min)	1.5 kVrms
Dielectric strength (open contact) (AC, 1 min)	1 kVrms
Dielectric strength (load/load circuit) (AC, 1 min)	1.5 kVrms
Protection type	IP20

### Physical data

Width	21.5 mm / 0.846 inches
Height from the surface	35 mm / 1.378 inches
Depth	28 mm / 1.102 inches

### Mechanical data

Mounting type	Pluggable module
---------------	------------------

### Material data

Note (material data)	<a href="#">Information on material specifications can be found here</a>
Fire load	0 MJ
Weight	33.1 g

### Environmental requirements

Ambient temperature (operation at $U_N$ )	-25 ... +70 °C
Ambient temperature (storage)	-40 ... +80 °C

### Standards and Specifications

Standards/specifications	EN 61810-1
--------------------------	------------

### Commercial data

Product Group	6 (INTERFACE ELECTRONIC)
PU (SPU)	3 pcs
Packaging type	Box
Country of origin	DE
GTIN	4066966355024
Customs tariff number	85364900990

### Product Classification

UNSPSC	39122334
eCl@ss 10.0	27-37-16-01
eCl@ss 9.0	27-37-16-01
ETIM 9.0	EC001437
ETIM 10.0	EC001437
ECCN	NO US CLASSIFICATION

**Environmental Product Compliance**

RoHS Compliance Status

Compliant, No Exemption

**Approvals / Certificates**

**General approvals**



Approval	Standard	Certificate Name
EAC GZO Almaty Standart	TP TC 004/2011	EAC CoC 03084

**Downloads**

**Environmental Product Compliance**

**Compliance Search**

Environmental Product  
Compliance 858-162



**CAD/CAE-Data**

**CAD data**

2D/3D Models 858-162



**1 Compatible Products**

**1.1 Optional Accessories**

**1.1.1 Socket**

**1.1.1.1 Socket without relay**



[Item No.: 858-100](#)

Relay socket; 4 changeover contacts