

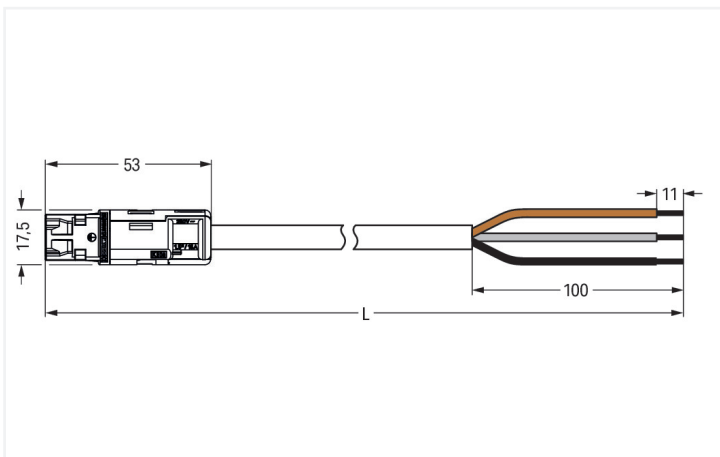
**Data Sheet | Item Number: 774-9973/216-805**

pre-assembled connecting cable; Eca; Plug/open-ended; 3-pole; Cod. S; H05Z1Z1-F 3x1,5 mm<sup>2</sup>; 8 m; 1,50 mm<sup>2</sup>; brown

<https://www.wago.com/774-9973/216-805>



Color: ■ brown



Dimensions in mm

**Cable assembly WINSTA® RD S coding**

The WINSTA® RD cable assembly 3-pole is the pluggable solution for your application in control cabinets, on PCBs or for lighting connections. Our pluggable installation connectors with spring pressure connection technology work entirely without screw connections. They allow flexible, error-free installation in a large number of applications. For greater security in electrical installations, the pluggable installation connector is provided with mechanical



protection against mismatching. The pluggable installation connector is protected against ingress by solid objects in accordance with protection type IP20 (When mated: IP2xC (These compact connectors are not designed for use in open, easily accessible areas!)). WINSTA® RD: Solutions from this product line are suitable for drill holes and conduits with diameters up to 20 mm. According to the European CPR, the fire class of the cables used in construction is essential for building safety as well. For buildings with medium-level safety requirements, cable assemblies with fire class E are suitable. Not using halogen additives in the manufacture of this cable assembly substantially increases fire safety and reduces environmental pollution.

Fast, secure pluggable connections – cable assemblies from WAGO

The cable assembly is equipped with a plug and a free end. The WINSTA® Pluggable Connection System is perfectly tailored to the very strict requirements of building installation. It makes electrical installation pluggable, and consequently faster, even more reliable, and error-free. Use of this pre-assembled system decreases assembly times and installation errors at the construction site. Enjoy the benefits of the pluggable version of our maintenance-free spring pressure connection technology too! Plan your installation with with protection against mismatching from WAGO.

- pluggable installation connectors with protection against mismatching
- saves time, since no wiring is required at the construction site
- with S coding for use in components such as motors or frequency converters
- ready to install and use immediately
- fast, secure installation

Notes	
Note	Cables with a different fire class can be found in the eShop.

Electrical data				
Ratings per	IEC/EN 60664-1			General information
Overvoltage category	III	III	II	Note on contact resistance approx. 1 mΩ of contact resistance approx. 0.25 mΩ contact transition plug/ socket
Pollution degree	3	2	2	
Nominal voltage	250 V	-	-	
Rated impulse withstand voltage	4 kV	-	-	
Rated current	16 A	-	-	

Connection Data		Connection 1	
Total number of potentials	3	Strip length	11 mm / 0.43 inches
Conductor preparation	ultrasonically tip-bonded	Pole number	3
		Wire cross-section	1.5 mm <sup>2</sup>
		Strip length (outer insulation)	100 mm
		Connection type	Plug - free end

Physical data	
Width	17.5 mm / 0.689 inches
Height	17.5 mm / 0.689 inches
Total length	8 m

### Mechanical data

Use	Switching function
Coding	S
Variable coding	No
Marking	1 2 L
Mating force of a plug-in connection	Approx. 30 ... 70 N (depending on pole number)
Retention force of a plug-in connection	when locked: > 80N
Unmating force of a plug-in connection	Unlocked: approx. 30 ... 70 N (depending on pole number)
Number of mating cycles	200, without resistive load
Connection type	Plug - free end
Type of pre-assembled cable	Connecting cable
Cable type	H05Z1Z1-F 3x1.5
Protection type	IP20; When mated: IP2xC (These compact connectors are not designed for use in open, easily accessible areas!)

### Plug-in connection

Mismating protection	Yes
Note on mismating protection	All <i>WINSTA</i> ® components are 100% protected against mismating when: a.) plugging different numbers of poles b.) plugging while incorrectly rotated c.) plugging while laterally staggered
Locking of plug-in connection	Locking lever

### Material data

Note (material data)	<a href="#">Information on material specifications can be found here</a>
Color	brown
Insulation material (main housing)	Polyamide (PA66)
Fire class per EN 50575	E <sub>ca</sub>
Contact material	Copper or copper alloy; surface-treated
Contact Plating	Tin
Fire load	239.384 MJ
Connector color	brown
Strain relief color	black
Sheathed cable color	black
Printing color of sheathed cable	white
Halogen-free	Yes
Silicon-free	Yes
Sheath material	Halogen-free
Rubber cable	No
Weight	784.1 g
Copper weight of the raw cable	0.043 kg/m

### Environmental requirements

Processing temperature	-5 ... +40 °C
Continuous operating temperature	-35 ... +85 °C
Note on continuous operating temperature	Cable for temperatures ≤ 70 °C (including halogen-free) Insulating parts for temperatures ≤ 105 °C

**Commercial data**

PU (SPU)	1 pcs
Packaging type	unpacked
Country of origin	DE
GTIN	4055143522694
Customs tariff number	85444290900

**Product Classification**

UNSPSC	26121629
eCl@ss 10.0	27-44-06-04
eCl@ss 9.0	27-44-06-04
ETIM 9.0	EC002587
ETIM 10.0	EC002587
ECCN	NO US CLASSIFICATION

**Environmental Product Compliance**

RoHS Compliance Status	Compliant, No Exemption
------------------------	-------------------------

**Approvals / Certificates**

**General approvals**



Approval	Standard	Certificate Name
CCA DEKRA Certification B.V.	EN 61535	NTR NL-7969
CCA DEKRA Certification B.V.	EN 61984	NTR NL-7848
KEMA/KEUR DEKRA Certification B.V.	EN 61535	71-123229
KEMA/KEUR DEKRA Certification B.V.	EN 61984	71-114944

**Declarations of conformity and manufacturer's declarations**

Approval	Standard	Certificate Name
EU-Declaration of Confor- mity WAGO GmbH & Co. KG	-	-
UK-Declaration of Confor- mity WAGO GmbH & Co. KG	-	-

**Downloads**



**Environmental Product Compliance**

**Compliance Search**

Environmental Product Compliance 774-9973/216-805	↓
---	---

### Documentation

#### Bid Text

774-9973/216-805	19.02.2019	xml 3.00 KB	
774-9973/216-805	19.02.2015	doc 24.00 KB	

### CAD/CAE-Data

#### CAD data

2D/3D Models 774-9973/216-805	
----------------------------------	---

#### CAE data

ZUKEN Portal 774-9973/216-805	
----------------------------------	---