

Z2line



Ex-Strobe light BZ2

Optical Signalling device for Zone 2

- ▶ II 3 G Ex nR IIC T5
-20°C ≤ Ta ≤ +50°C
(12 VDC / 24 VDC)
- ▶ II 3 G Ex nR IIC T4
-20°C ≤ Ta ≤ +40°C
(120 VAC / 230 VAC)
- ▶ Protection degree IP 66
- ▶ Strobe energy 15 Joule
- ▶ Safety class II



Application

In potential explosive atmospheres it's often necessary to use optical signals for warning, indicating and signalling. The Ex-Strobe light BZ2 offers this option.

The item is made for continuous operation. The protection degree is IP 66.

Design

The housing is made of impact resistant Polycarbonate. The cap is made of coloured Polycarbonate.

The strobe energy is 15 Joule.

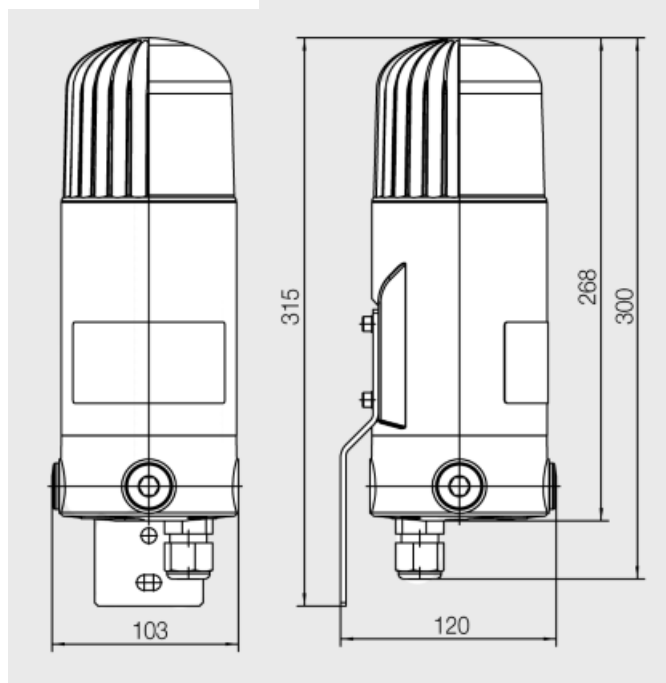
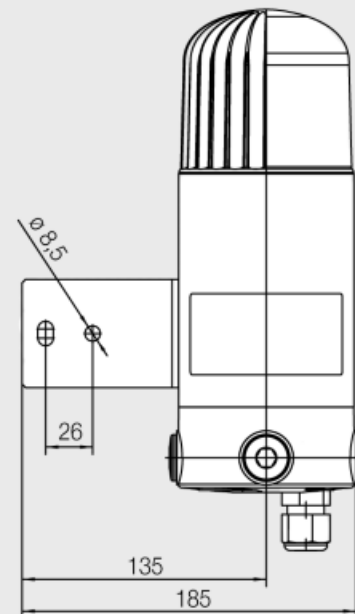
Optical Signalling device in the Zone 2

In potential explosive atmospheres it is often necessary to use optical signals for warning.



Technical specifications

Housing	Impact resistant Polycarbonate
Cap	Polycarbonate
Colour	black
Protection	IP 66 (IEC 529)
Cable gland	M20 x 1.5 with ATEX approval, 1x blind plug M20 x 1.5
Connection terminals	Cross section up to 2.5 mm ²
Operating conditions	Indoors and outdoors
Operating position	any
Operating mode	continuous
Strobe energy	15 Joule
Flash sequence	60/Min
Explosion category	II 3 G Ex nR IIC T5/T4
Temperature range	for T5: -20°C ≤ Ta ≤ +50°C (12 VDC / 24 VDC) for T4: -20°C ≤ Ta ≤ +40°C (120 VAC / 230 VAC)
Weight	approx. 1.4 kg



* The full article number is made up by appending the colour code for the coloured cap to the article numbers given below.

transp.	01
red	02
amber	03
green	04
blue	05
yellow	06

Order information

Type	Name	Rated Voltage U _e	Volt. range	Current Cons.	Art. no. *
BZ2	Strobe light	230 VAC 50-60 Hz	+6/-10%	0.13 A	224 952 ..
BZ2	Strobe light	120 VAC	+6/-10%	0.45 A	224 956 ..
BZ2	Strobe light	24 VDC	15-32 V	0.55 A	224 954 ..
BZ2	Strobe light	12 VDC	9-16 V	1.1 A	224 953 ..

Subject to change without notice · Printout 08/10