

Concord

EXPOSPOT 90 FIXED HE RA90 4000K NB WHITE 2070032



Features

- Integrated LED fixed accent downlight, single head, ideal for retail and display applications, die-cast aluminium body, passive cooling, beam angle: 26°, optics: aluminium reflector and lens combination, colour temperature: 4000K neutral white, total system power: 28W, total fixture output: 2789lm, 100lm/W, LOR: 100%, colour rendering: Ra 90 typical, LED Chromacity: 3 step MacAdam ellipse, IR/UV free light source without heat radiation, operating voltage: 220-240V / 50-60Hz, electronic driver, non-dimmable, electrical protection: CLASS II, ingress protection rating: IP20, suitable for internal environment only, ceiling cut-out: 112mm, dimensions: 123x104mm, weight: 0.77kg.

Product Overview

| | |
|---------------------------------|--|
| Product name | EXPOSPOT 90 FIXED HE RA90 4000K NB WHITE |
| Technology | LED |
| Cap/Base | N/A |
| Housing | Aluminium |
| Mount | Ceiling recessed mounting |
| Fixture rating | Enclosed |
| Fixture luminous flux (lm) | 2789 |
| Luminaire efficacy (lm/W) | 100 |
| LOR (%) | 100 |
| Colour temperature (K) | 4000 |
| Light colour | Neutral White |
| CRI (Ra) | 90 |
| Colour Variation Initial (SDCM) | 3 |
| Photobiological Risk Group | RG1 |
| Total power consumption (W) | 28 |
| Electrical protection | Class II |
| Control gear type | Electronic ballast |

Concord

EXPOSPOT 90 FIXED HE RA90 4000K NB WHITE 2070032

Control gear mounting

Remote

Housing colour

White

IP rating

IP20

IK rating

IK02

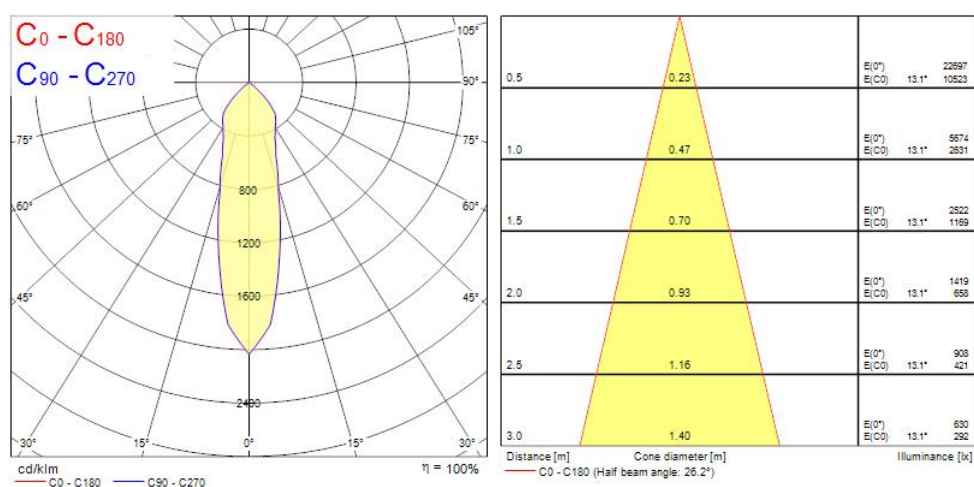
Product EAN number

5025768700325

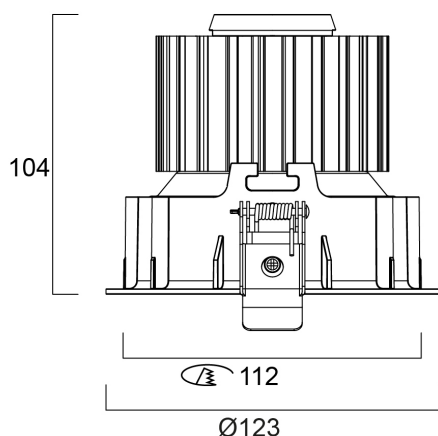
Warranty

5 years

Photometry



Technical drawings



Concord

EXPOSPOT 90 FIXED HE RA90 4000K NB WHITE 2070032

Data table

GENERAL DATA

| | |
|---|--|
| Product name | EXPOSPOT 90 FIXED HE RA90 4000K NB WHITE |
| Technology | LED |
| Cap/Base | N/A |
| Housing | Aluminium |
| Mount | Ceiling recessed mounting |
| Fixture rating | Enclosed |
| Performance ambient temperature Tq (°C) | 25 |
| Warranty | 5 years |

OPTICAL DATA

| | |
|---------------------------------|---------------|
| Fixture luminous flux (lm) | 2789 |
| Luminaire efficacy (lm/W) | 100 |
| LOR (%) | 100 |
| Colour temperature (K) | 4000 |
| Light colour | Neutral White |
| CRI (Ra) | 90 |
| Colour Variation Initial (SDCM) | 3 |
| Photobiological Risk Group | RG1 |

ELECTRICAL DATA

| | |
|--|--------------------|
| Total power consumption (W) | 28 |
| Primary Supply/Product voltage - min (V) | 220 |
| Lamp power factor | 0.92 |
| Electrical protection | Class II |
| Control gear required | No |
| Control gear type | Electronic ballast |
| Control gear mounting | Remote |
| Drive current (mA) | 700 |
| Inrush Current (A) | 19.4 |

Concord

EXPOSPOT 90 FIXED HE RA90 4000K NB WHITE 2070032

| | |
|--|---------|
| Inrush Duration (μ s) | 250 |
| Glow Wire Test ($^{\circ}$ C) | 850 |
| Energy Efficiency Class (A->G) of contained light source | E |
| Nominal Frequency (Hz) | 50/60Hz |
| Max. products per 10A C Breaker | 21 |
| Max. products per 20A B Breaker | 27 |

LIFETIME DATA

| | |
|------------------|--------|
| Lifespan L70 B50 | 100000 |
| Lifespan L80 B20 | 100000 |
| Lifespan L90 B10 | 54500 |

PHYSICAL DATA

| | |
|-------------------------------|-------|
| Housing colour | White |
| IP rating | IP20 |
| IK rating | IK02 |
| Nominal Product Width (mm) | 123 |
| Nominal Product Diameter (mm) | 123 |
| Weight (kg) | 0.77 |
| Recessed Depth (mm) | 104 |

PACKAGING

| | |
|--------------------------------------|----------------|
| Single packaging type | Carton |
| Product EAN number | 5025768700325 |
| Packaging single width (cm) | 18.0 |
| Packaging single depth (cm) | 16.0 |
| DUN14 (outer) | 05025768700325 |
| Packaging outer length / height (cm) | 18.0 |

SAFETY DATA

| | |
|---------------------------|----|
| Special purpose lamp | No |
| Dry applications use only | No |

Concord

EXPOSPOT 90 FIXED HE RA90 4000K NB WHITE
2070032

Suitable for household illumination

No