

Myriad Adjustable Twin - Black with Silver bezel

MYRIAD ADJ TWIN BLACK 4000K DALI SILVER BZ
2056264



PRODUCT OVERVIEW

| | |
|---------------------------------|--|
| Product name | MYRIAD ADJ TWIN BLACK 4000K DALI SILVER BZ |
| Technology | LED |
| Cap/Base | N/A |
| Mount | Ceiling recessed mounting |
| Environment | Indoor |
| Warranty | 5 years |
| Fixture luminous flux (lm) | 684 x 2 |
| Luminaire efficacy (lm/W) | 68 |
| LOR (%) | 100 |
| Colour temperature (K) | 4000 |
| Light colour | Neutral White |
| CRI (Ra) | 90 |
| Colour Variation Initial (SDCM) | SDCM3 |
| Photobiological Risk Group | RG1 |
| Total power consumption (W) | 20 |
| Electrical protection | Class II |
| Control gear mounting | Remote |
| Housing colour | RAL 9005 - Jet black |
| IP rating | IP20 |
| IK rating | IK02 |
| Product EAN number | 5025768562640 |

DATA TABLE

General data

| | |
|---|--|
| Product name | MYRIAD ADJ TWIN BLACK 4000K DALI SILVER BZ |
| Technology | LED |
| Cap/Base | N/A |
| Mount | Ceiling recessed mounting |
| Environment | Indoor |
| Performance ambient temperature Tq (°C) | 25 |

Myriad Adjustable Twin - Black with Silver bezel

MYRIAD ADJ TWIN BLACK 4000K DALI SILVER BZ
2056264

| | |
|----------|---------|
| Warranty | 5 years |
|----------|---------|

Optical data

| | |
|---------------------------------|---------------|
| Fixture luminous flux (lm) | 684 x 2 |
| Luminaire efficacy (lm/W) | 68 |
| LOR (%) | 100 |
| Colour temperature (K) | 4000 |
| Light colour | Neutral White |
| CRI (Ra) | 90 |
| Colour Variation Initial (SDCM) | SDCM3 |
| Adjustable chromaticity | N |
| Photobiological Risk Group | RG1 |

Electrical data

| | |
|--|----------|
| Total power consumption (W) | 20 |
| Primary Supply/Product voltage - min (V) | 230 |
| Electrical protection | Class II |
| Control gear mounting | Remote |
| Drive current (mA) | 250 |
| Energy Efficiency Class (A->G) of contained light source | E |
| Nominal Frequency (Hz) | 50/60Hz |

Lifetime data

| | |
|------------------|--------|
| Lifespan L70 B50 | 100000 |
| Lifespan L80 B20 | 100000 |
| Lifespan L90 B10 | 68500 |

Physical data

| | |
|-----------------------------|----------------------|
| Housing colour | RAL 9005 - Jet black |
| IP rating | IP20 |
| IK rating | IK02 |
| Diffuser finish | Frosted |
| Diffuser material | PC Polycarbonate |
| Nominal Product Length (mm) | 193 |
| Nominal Product Width (mm) | 90 |
| Weight (kg) | 0.65 |
| Recessed Depth (mm) | 115 |

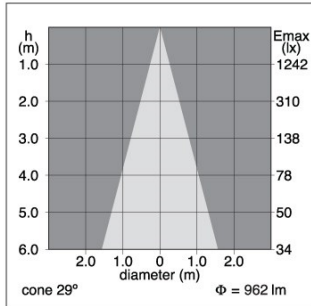
Packaging

| | |
|--------------------------------------|----------------|
| Single packaging type | Carton |
| Product EAN number | 5025768562640 |
| Packaging single width (cm) | 25.0 |
| Packaging single depth (cm) | 12.5 |
| DUN14 (outer) | 05025768562640 |
| Packaging outer length / height (cm) | 27.5 |

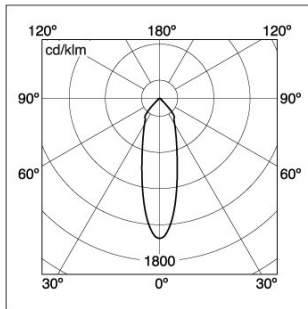
Myriad Adjustable Twin - Black with Silver bezel

MYRIAD ADJ TWIN BLACK 4000K DALI SILVER BZ
2056264

PHOTOMETRY



5000K



TECHNICAL DRAWINGS

