

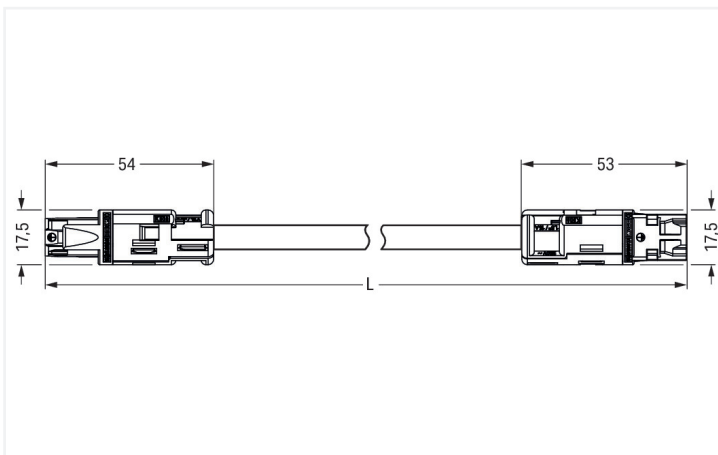
Data Sheet | Item Number: 774-9973/016-305

pre-assembled interconnecting cable; Eca; Socket/plug; 3-pole; Cod. S; H05Z1Z1-F
3x1,5 mm²; 3 m; 1,50 mm²; brown

<https://www.wago.com/774-9973/016-305>



Color: ■ brown



Dimensions in mm

Cable assembly *WINSTA*® RD with strain relief

The *WINSTA*® RD cable assembly with protection type IP20 allows installation of fine-stranded and solid conductors. WAGO pluggable installation connectors are useful when criteria repeat or are distributed on a specific pattern, for example for installing grid lighting or flush-mount lighting. The coding options reduce installation errors, allowing fast, secure wiring of all components. The pluggable installation connector is protected against ingress by

solid objects in accordance with protection type IP20 (When mated: IP2xC (These compact connectors are not designed for use in open, easily accessible areas!)). With WINSTA® RD, we have introduced a product line that fits like a glove into conduits or boreholes thanks to its design. Of course, the safety of buildings must always be ensured, even after the electrical installation has been performed. The mandatory safety requirements in connection with EU CPR are met by this product through fire class E. In the production of this cable assembly, halogens were deliberately omitted. This is an important contribution to climate protection.

Fast, error-free assembly thanks to cable assemblies from WAGO

The cable is pre-assembled with a socket and a plug. The WINSTA® Pluggable Connection System is perfectly tailored to the very strict requirements of building installation. It makes electrical installation pluggable, and thus more efficient, even more reliable, and error-free. Using this pre-assembled system reduces time spent on assembly and errors during installation at the construction site. Take advantage of the pluggable version of our maintenance-free spring pressure connection technology too! Plan your installation with with fire class E from WAGO.

- pluggable installation connectors with protection against mismatching
- saves time, since no wiring is required at the construction site
- with S coding for AC applications of distributed components
- flexible installation to save space
- quick replacement of defective units during ongoing operation

| Notes | |
|-------|---|
| Note | Cables with a different fire class can be found in the eShop. |

| Electrical data | | | | |
|---------------------------------|----------------|-----|----|--|
| Ratings per | IEC/EN 60664-1 | | | General information |
| Overvoltage category | III | III | II | Note on contact resistance approx. 1 mΩ of contact resistance approx. 0.25 mΩ contact transition plug/ socket |
| Pollution degree | 3 | 2 | 2 | |
| Nominal voltage | 250 V | - | - | |
| Rated impulse withstand voltage | 4 kV | - | - | |
| Rated current | 16 A | - | - | |

| Connection Data | | Connection 1 | |
|----------------------------|---|--------------------|---------------|
| Total number of potentials | 3 | Pole number | 3 |
| | | Wire cross-section | 1.5 mm² |
| | | Connection type | Socket - Plug |

| Physical data | |
|---------------|------------------------|
| Width | 17.5 mm / 0.689 inches |
| Height | 17.5 mm / 0.689 inches |
| Total length | 3 m |

| Mechanical data | |
|---|--|
| Use | Switching function |
| Coding | S |
| Variable coding | No |
| Marking | 1 2 L |
| Mating force of a plug-in connection | Approx. 30 ... 70 N (depending on pole number) |
| Retention force of a plug-in connection | when locked: > 80N |
| Unmating force of a plug-in connection | Unlocked: approx. 30 ... 70 N (depending on pole number) |
| Number of mating cycles | 200, without resistive load |
| Connection type | Socket - Plug |
| Type of pre-assembled cable | Interconnecting cable |
| Cable type | H05Z1Z1-F 3x1.5 |

Mechanical data

| | |
|-----------------|---|
| Protection type | IP20; When mated: IP2xC (These compact connectors are not designed for use in open, easily accessible areas!) |
|-----------------|---|

Plug-in connection

| | |
|-------------------------------|--|
| Mismating protection | Yes |
| Note on mismating protection | All <i>WINSTA</i> ® components are 100% protected against mismating when: a.) plugging different numbers of poles b.) plugging while incorrectly rotated c.) plugging while laterally staggered |
| Locking lever | Yes |
| Locking of plug-in connection | Locking lever |

Material data

| | |
|------------------------------------|--|
| Note (material data) | Information on material specifications can be found here |
| Color | brown |
| Insulation material (main housing) | Polyamide (PA66) |
| Fire class per EN 50575 | E _{ca} |
| Contact material | Copper or copper alloy; surface-treated |
| Contact Plating | Tin |
| Fire load | 88.738 MJ |
| Connector color | brown |
| Strain relief color | black |
| Sheathed cable color | black |
| Printing color of sheathed cable | white |
| Halogen-free | Yes |
| Silicon-free | Yes |
| Sheath material | Halogen-free |
| Rubber cable | No |
| Weight | 301.6 g |
| Copper weight of the raw cable | 0.043 kg/m |

Environmental requirements

| | |
|--|---|
| Processing temperature | -5 ... +40 °C |
| Continuous operating temperature | -35 ... +85 °C |
| Note on continuous operating temperature | Cable for temperatures ≤ 70 °C (including halogen-free) Insulating parts for temperatures ≤ 105 °C |

Commercial data

| | |
|-----------------------|---------------|
| PU (SPU) | 1 pcs |
| Packaging type | unpacked |
| Country of origin | DE |
| GTIN | 4055143522465 |
| Customs tariff number | 85444290900 |

Product Classification

| | |
|-------------|----------------------|
| UNSPSC | 26121629 |
| eCl@ss 10.0 | 27-44-06-04 |
| eCl@ss 9.0 | 27-44-06-04 |
| ETIM 9.0 | EC002587 |
| ETIM 10.0 | EC002587 |
| ECCN | NO US CLASSIFICATION |

Environmental Product Compliance

| | |
|------------------------|-------------------------|
| RoHS Compliance Status | Compliant, No Exemption |
|------------------------|-------------------------|

Approvals / Certificates

General approvals **Declarations of conformity and manufacturer's declarations**



| Approval | Standard | Certificate Name |
|---------------------------------------|----------|------------------|
| CCA DEKRA Certification B.V. | EN 61535 | NTR NL-7969 |
| CCA DEKRA Certification B.V. | EN 61984 | NTR NL-7848 |
| KEMA/KEUR DEKRA Certification B.V. | EN 61535 | 71-123229 |
| KEMA/KEUR DEKRA Certification B.V. | EN 61984 | 71-114944 |

| Approval | Standard | Certificate Name |
|---|----------|------------------|
| EU-Declaration of Confor- mity WAGO GmbH & Co. KG | - | - |
| UK-Declaration of Confor- mity WAGO GmbH & Co. KG | - | - |

Downloads

Environmental Product Compliance

| Compliance Search | |
|--|---|
| Environmental Product Compliance 774-9973/016-305 | ↓ |

Documentation

| Bid Text | | | |
|------------------|------------|-----------------|---|
| 774-9973/016-305 | 19.02.2019 | xml 2.97 KB | ↓ |
| 774-9973/016-305 | 19.02.2015 | doc 24.00 KB | ↓ |

Subject to changes. Please also observe the further product documentation!

Current addresses can be found at: www.wago.com