

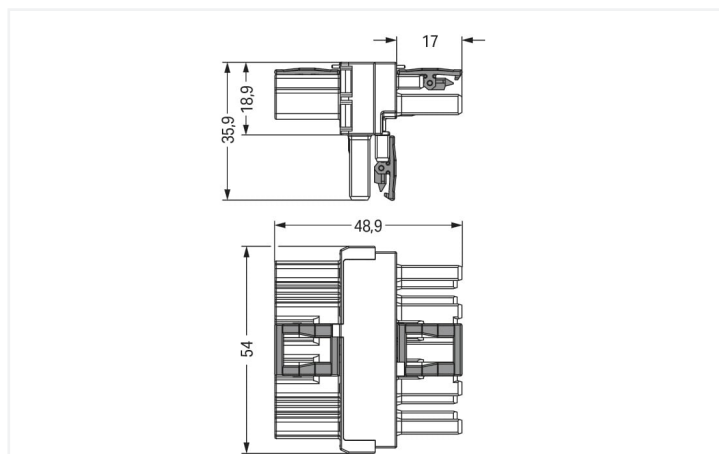
## Data Sheet | Item Number: 770-622

T-distribution connector; 5-pole; Cod. A; 1 input; 2 outputs; 3 locking levers; for flying leads; black

<https://www.wago.com/770-622>



Color: ■ black



Dimensions in mm

Distribution connector *WINSTA*® MIDI rated current 25 A

The *WINSTA*® MIDI distribution connector rated current 25 A supports fast, reliable installation. WAGO pluggable installation connectors are used when specifications repeat or are distributed on a defined pattern, for example for installing grid lighting or flush-mount lighting. The coding options reduce installation errors, allowing fast, secure wiring of all components. The pluggable installation connector offers touch-proof protection with live components in accordance with protection type IP20 (When mated: IP2x0 (These compact connectors are not designed for use in open, easily accessible areas!)). Thanks to the color coding and mechanical A coding of *WINSTA*® MIDI pluggable installation connectors, you can clearly distinguish different circuits. The rated current and voltage are important criteria for selecting a pluggable installation connector: They provide information about possible domains of use and applications. This product has a current rating of 25 A – as a result it is also suitable for powerful loads. *WINSTA*® MIDI with Push-in CAGE CLAMP® spring pressure connection technology is found in a broad range of individual products you can use for quick, easy and maximally flexible electrical installation.

Lower costs through fast commissioning and elimination of service expenses – solutions from *WINSTA*® MIDI

*WINSTA*® is the pluggable connection system that is perfectly tailored to the strict requirements of electrical installation. It ensures fast, secure and, above all, error-free installation of components and cables. Choose quality and durability – with locking lever from WAGO makes the installation of electrical components noticeably easier.

- effective protection against mismatching
- pre-assembled versions
- with A coding for use in many general mains applications
- custom-engineered solutions
- quick replacement of defective units during ongoing operation

### Electrical data

| Ratings per          | IEC/EN 60664-1 |     |    |
|----------------------|----------------|-----|----|
| Overtoltage category | III            | III | II |
| Pollution degree     | 3              | 2   | 2  |
| Nominal voltage      | 400 V          | -   | -  |
| Rated surge voltage  | 6 kV           | -   | -  |
| Rated current        | 25 A           | -   | -  |

| Approvals per | UL 1977 |
|---------------|---------|
| Rated voltage | 600 V   |
| Rated current | 23 A    |

### General information

|                            |  |
|----------------------------|--|
| Note on contact resistance | approx. 1 mΩ of contact resistance<br>approx. 0.25 mΩ contact transition plug/<br>socket |
|----------------------------|--|

### Connection data

|                            |                      |                     |   |
|----------------------------|----------------------|---------------------|---|
| Total number of potentials | 5                    | <b>Connection 1</b> |   |
| PE function                | Preceding PE contact | Pole number         | 5 |

### Physical data

|             |                        |
|-------------|------------------------|
| Pin spacing | 10 mm / 0.394 inches   |
| Width       | 54 mm / 2.126 inches   |
| Height      | 35.9 mm / 1.413 inches |
| Depth       | 48.9 mm / 1.925 inches |

### Mechanical data

|   |   |
|---|---|
| Application                             | General mains applications  |
| Coding                                  | A   |
| Marking                                 | L3 L2 L1 N  |
| Potential marking                       | L3 L2 L1 N  |
| Mating force of a plug-in connection    | Approx. 20 ... 70 N (depending on pole number)  |
| Retention force of a plug-in connection | When locked: > 80 N   |
| Unmating force of a plug-in connection  | Unlocked: approx. 20 ... 70 N (depending on pole number)  |
| Number of mating cycles                 | 200, without resistive load   |
| Type of distribution box                | T-distribution connector  |
| Protection type                         | IP20; When mated: IP2xC (These compact connectors are not designed for use in open, easily accessible areas!) |
| Suitable                                | for flying leads  |

### Plug-in connection

|                               |  |
|-------------------------------|--|
| Mismating protection          | Yes  |
| Note on mismating protection  | All <i>WINSTA</i> ® components are 100% protected against mismating when:<br>a.) plugging different numbers of poles<br>b.) plugging while rotated 180<br>c.) plugging while laterally staggered<br>d.) plugging one pole  |
| Locking lever                 | Yes  |
| Locking of plug-in connection | Locking lever  |
| Note on locking system        | All connectors for mounted installations (snap-in versions for lighting fixtures or devices, all types of PCB and distribution connectors) are factory-equipped with locking levers to ensure plugs and sockets are securely locked. Additional locking levers are only required for flying leads (plug/socket). |
| Number of locking levers      | 3  |

### Material data

|                             |  |
|-----------------------------|--|
| Note (material data)        | <a href="https://www.wago.com/us/material-specifications">Information on material specifications can be found here</a> |
| Color                       | black  |
| Insulation material         | Polyamide (PA66)   |
| Flammability class per UL94 | V0   |
| Contact material            | Copper or copper alloy; surface-treated  |
| Contact plating             | Tin  |
| Fire load                   | 0.521 MJ   |
| Weight                      | 23.7 g   |

### Environmental requirements

|  |  |
|--|--|
| Processing temperature                   | -5 ... +40 °C                              |
| Continuous operating temperature         | -35 ... +85 °C                             |
| Note on continuous operating temperature | Insulating parts for temperatures ≤ 105 °C |

### Commercial data

|                       |               |
|-----------------------|---------------|
| eCl@ss 10.0           | 27-44-06-03   |
| eCl@ss 9.0            | 27-44-06-03   |
| ETIM 8.0              | EC002567      |
| ETIM 7.0              | EC002567      |
| PU (SPU)              | 50 pcs        |
| Packaging type        | Box           |
| Country of origin     | DE            |
| GTIN                  | 4044918935050 |
| Customs tariff number | 85366990990   |

### Environmental Product Compliance

|                        |                         |
|------------------------|-------------------------|
| RoHS Compliance Status | Compliant, No Exemption |
|------------------------|-------------------------|

### Approvals / Certificates

#### General approvals



| Approval                                   | Standard  | Certificate Name |
|--|-----------|------------------|
| CCA<br>DEKRA Certification B.V.            | EN 61535  | 71-123228        |
| CCA<br>DEKRA Certification B.V.            | IEC 61535 | NL -84761        |
| cURus<br>Underwriters Laboratories<br>Inc. | UL 1977   | E45171           |
| cURus<br>Underwriters Laboratories<br>Inc. | UL 1059   | E 45172          |

#### Declarations of conformity and manufacturer's declarations

| Approval  | Standard | Certificate Name |
|---|----------|------------------|
| EU-Declaration of Confor-<br>mity<br>WAGO GmbH & Co. KG | -        | -                |

### Approvals for marine applications



| Approval  | Standard  | Certificate Name |
|---|-----------|------------------|
| ABS<br>American Bureau of Ship-<br>ping               | -         | 19-HG1868589-PDA |
| DNV GL<br>Det Norske Veritas, Ger-<br>manischer Lloyd | -         | TAE00001Z6       |
| LR<br>Lloyds Register                                 | IEC 61984 | LR22429487TA     |

Downloads

Environmental Product Compliance

Compliance Search

Environmental Product Compliance 770-622



Documentation

Bid Text

|                            |            |                 |  |
|----------------------------|------------|-----------------|--|
| 770-622                    | 12.03.2015 | doc<br>23.00 KB |  |
| 770-622                    | 19.02.2019 | xml<br>2.81 KB  |  |
| ausschreiben.de<br>770-622 |            |                 |  |

CAD/CAE-Data

CAD data

2D/3D Models 770-622



CAE data

EPLAN Data Portal  
770-622



WSCAD Universe  
770-622



ZUKEN Portal 770-622



1 Compatible Products

1.1 System counterpart

1.1.1 Cable assembly



**Item No.: 771-9995/206-101**  
pre-assembled connecting cable; Eca; Plug/open-ended; 5-pole; Cod. A; H05VV-F 5G 1.5 mm<sup>2</sup>; 1 m; 1,50 mm<sup>2</sup>; black



**Item No.: 771-9995/106-101**  
pre-assembled connecting cable; Eca; Socket/open-ended; 5-pole; Cod. A; H05VV-F 5G 1.5 mm<sup>2</sup>; 1 m; 1,50 mm<sup>2</sup>; black



**Item No.: 771-9995/006-101**  
pre-assembled interconnecting cable; Eca; Socket/plug; 5-pole; Cod. A; H05VV-F 5G 1.5 mm<sup>2</sup>; 1 m; 1,50 mm<sup>2</sup>; black

1.1.2 Female connector/socket



**Item No.: 770-205**  
Socket; 5-pole; Cod. A; 4,00 mm<sup>2</sup>; black



**Item No.: 770-405**  
Socket; 5-pole; Cod. A; 4,00 mm<sup>2</sup>; black



**Item No.: 770-105**  
Socket; with strain relief housing; 5-pole; Cod. A; 4,00 mm<sup>2</sup>; black



**Item No.: 770-305**  
Socket; with strain relief housing; 5-pole; Cod. A; 4,00 mm<sup>2</sup>; black

### 1.1.3 Male connector/plug



**Item No.: 770-215**

Plug; 5-pole; Cod. A; 4,00 mm<sup>2</sup>; black



**Item No.: 770-415**

Plug; 5-pole; Cod. A; 4,00 mm<sup>2</sup>; black



**Item No.: 770-115**

Plug; with strain relief housing; 5-pole; Cod. A; 4,00 mm<sup>2</sup>; black



**Item No.: 770-315**

Plug; with strain relief housing; 5-pole; Cod. A; 4,00 mm<sup>2</sup>; black

## 1.2 Optional Accessories

### 1.2.1 Cover

#### 1.2.1.1 Cover



**Item No.: 770-201**

Lockout cap; 12-pole, separable; for sockets; Plastic; black



**Item No.: 770-221**

Lockout cap; 12-pole, separable; for sockets; Plastic; white



**Item No.: 770-360**

Lockout cap; for plugs; 5-pole; separable; yellow

### 1.2.2 Installation

#### 1.2.2.1 Mounting accessories



**Item No.: 770-354**

Mounting plate; 2- to 5-pole; for distribution connectors; silver-colored