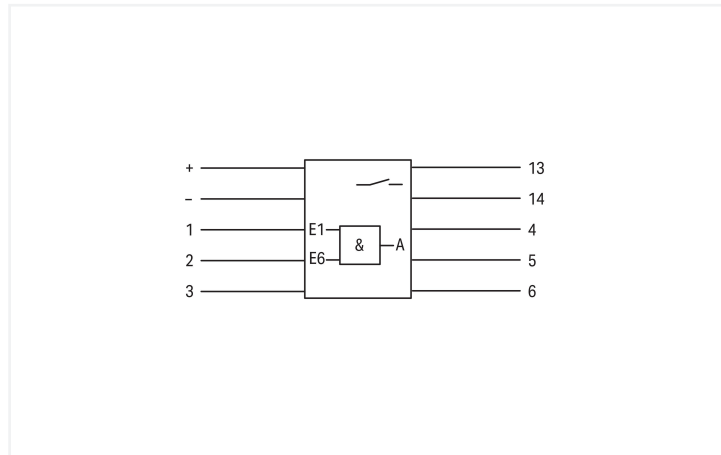
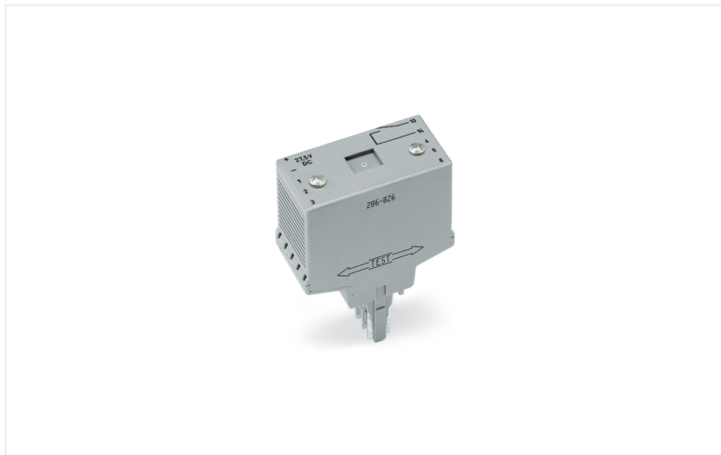
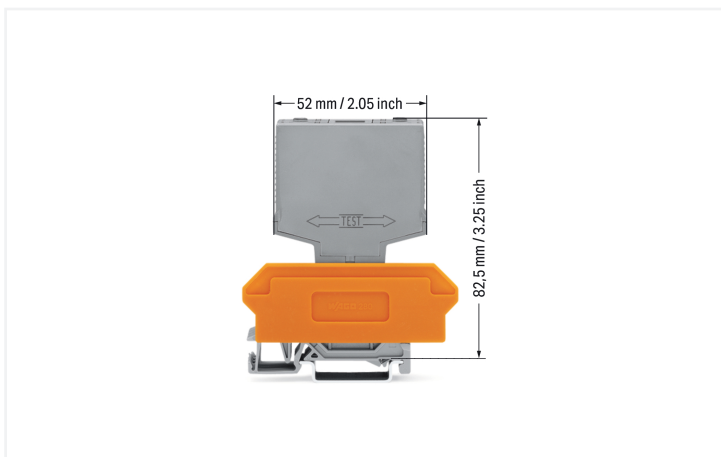


**Data Sheet | Item Number: 286-826**  
**AND gate module with 6 inputs; light gray**

<https://www.wago.com/286-826>



Color: ■ light gray



### Technical data

#### Power Supply

Current consumption at nominal supply voltage  $\leq 34.6$  mA

### Safety and protection

Rated Voltage	250 V
Rated impulse withstand voltage	4 kV
Pollution degree	2
Dielectric strength, input/output (AC, 1 min)	2.5 kVrms

### Physical data

Width	25 mm / 0.984 inches
Height	52 mm / 2.047 inches
Depth from upper-edge of DIN-rail	82.5 mm / 3.25 inches

### Mechanical data

Mounting type	Pluggable module for receptacle terminal blocks
Housing design	Plug for carrier terminal blocks

### Material data

Color	light gray
Fire load	0.444 MJ
Weight	34 g

### Environmental requirements

Ambient temperature (operation)	-25 ... +40 °C
Relative humidity	5 ... 95 % (no condensation permissible)
Operating altitude (max.)	2000 m

### Commercial data

Product Group	6 (INTERFACE ELECTRONIC)
PU (SPU)	10 (1) pcs
Packaging type	Box
Country of origin	DE
Customs tariff number	85369010000

### Product Classification

UNSPSC	39121521
eCl@ss 10.0	27-24-22-16
eCl@ss 9.0	27-24-22-16
ETIM 9.0	EC001417
ETIM 10.0	EC001417
ECCN	NO US CLASSIFICATION

### Environmental Product Compliance

CAS-No.	1303-86-2 1317-36-8 7439-92-1 75980-60-8 79-94-7
REACH Candidate List Substance	2,2',6,6'-tetrabromo-4,4'-isopropylidenediphenol Diboron trioxide Lead Lead monoxide Phosphine oxide, diphenyl(2,4,6-trimethylbenzoyl)-
RoHS Compliance Status	Compliant,With Exemption
RoHS Exemption	6(c) 7(a) 7(c)-I 7(c)-II
SCIP notification number (Austria)	5281a55b-a487-4781-82ca-b7efb8bf6945
SCIP notification number (Belgium)	3c4c817a-5423-4b70-8a25-2f68a7fd56c3
SCIP notification number (Bulgaria)	d745c98a-b3fc-4f20-9022-0bf84d30970f
SCIP notification number (Czech Republic)	548abcc0-6789-49d4-bc1e-40ce39006448
SCIP notification number (Denmark)	a52d66fb-bc3f-437d-85f7-d31590f006a3

**Environmental Product Compliance**


SCIP notification number (Finland)	fc9abcf3-d8e4-422d-8ed0-ab00d3fee734
SCIP notification number (France)	c4a4cb73-79de-4571-8ded-f12abf68cb59
SCIP notification number (Germany)	d8934dff-2cc3-4281-83d8-eb2f14d22ccc
SCIP notification number (Hungary)	7e3abc24-6569-4ec2-b9a3-06fa697cc59b
SCIP notification number (Italy)	8dccc28-7054-4217-b826-47875b8bdf82
SCIP notification number (Netherlands)	7ae47f24-1057-4539-bfe8-94614be395be
SCIP notification number (Poland)	0b3fc289-1cbe-480a-bc65-8915abb8f00c
SCIP notification number (Romania)	aba71ace-dd54-4214-a66d-d1aef1189139
SCIP notification number (Sweden)	dc8cc014-b686-4859-a119-e32db94a3065

Main product function	AND gate module
Product type	Specialty electronics
Series	286

**Approvals / Certificates**

**General approvals**

**Declarations of conformity and manufacturer's declarations**



Approval	Standard	Certificate Name
EAC GZO Almaty Standart	TP TC 004/2011	EAC CoC 03078
EAC GZO Almaty Standart	TP TC 020/2011	EAC CoC 03081

Approval	Standard	Certificate Name
EU-Declaration of Confor- mity WAGO GmbH & Co. KG	-	-
UK-Declaration of Confor- mity WAGO GmbH & Co. KG	-	-

**Downloads**

**Environmental Product Compliance**

**Compliance Search**

Environmental Product Compliance 286-826	<a href="#">↓</a>
--	-------------------

**Documentation**




**Bid Text**

286-826	19.02.2019	xml 3.42 KB	<a href="#">↓</a>
286-826	02.04.2015	doc 23.50 KB	<a href="#">↓</a>

**Instruction Leaflet**

Operation and Assemb- ly Instructions Interface	V 1.0.0 02.04.2025	pdf 1246.19 KB	<a href="#">↓</a>
--	-----------------------	-------------------	-------------------

## CAD/CAE-Data

CAD data	CAE data
2D/3D Models 286-826 	WSCAD Universe 286-826 
	ZUKEN Portal 286-826 

## 1 Compatible Products

## 1.1 Optional Accessories

## 1.1.1 Marking

## 1.1.1.1 Marker

**Item No.: 209-701**

WSB marking card; as card; not stretchable; plain; snap-on type; white

## 1.1.2 Terminal blocks

## 1.1.2.1 Terminal block for pluggable modules

**Item No.: 280-639**

Terminal block for pluggable modules; 10-pole; with 2-conductor terminal blocks; with orange separator; for DIN-rail 35 x 15 and 35 x 7.5; 2.5 mm<sup>2</sup>; CAGE CLAMP®; 2,50 mm<sup>2</sup>; gray

**Item No.: 280-765**

Terminal block for pluggable modules; 10-pole; with 4-conductor terminal blocks; with marker carrier; with orange separator; for DIN-rail 35 x 15 and 35 x 7.5; 2.5 mm<sup>2</sup>; CAGE CLAMP®; 2,50 mm<sup>2</sup>; gray

**Item No.: 280-629**

Terminal block for pluggable modules; 10-pole; with 4-conductor terminal blocks; with orange separator; for DIN-rail 35 x 15 and 35 x 7.5; 2.5 mm<sup>2</sup>; CAGE CLAMP®; 2,50 mm<sup>2</sup>; gray