

Presence detector, 230 V, 20 m, for surface mounting, white

350-20054

4 year warranty

This presence detector with one channel is suitable for ceiling mounting and is used to switch indoor lighting on and off. The detector has a circular detection area with a diameter of up to 20 m that can be adjusted using the cover mask. The device has a built-in light sensor and switches the lighting automatically on or off. Manual operation is also possible using the N.O. push button. After the pre-set time delay, the light is switched off automatically. The device has an IP20 protection degree and conforms to the European directive, EN 60669-2-1, for EMC and safety.

Finishing colour: white

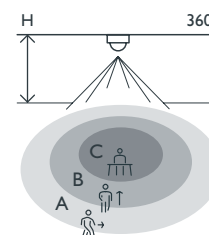
- Sustainable
- Functional
- Simple installation
- Energy saving
- Large detection zone (up to 20 m)

Presence detector for use in offices, storage rooms, cafeterias, etc.

- The presence detector is only suitable for controlling indoor lighting.
- Depending on the application chosen, the lighting is turned on and off manually using a push button or automatically when motion is detected. The turning on and off of the lighting may or may not depend on the level of daylight measured.
- The lighting turns off automatically when there is sufficient daylight or there is no longer anyone in the room (presence detector).
- The built-in time switch allows you to set the desired switch-off delay. The lighting will remain on throughout the disconnection time after the last movement has been detected.
- The lighting can always be turned off manually.
- The sensor's lens can be covered with the cover mask provided, so you can divide the detection zone. The cover mask can be adapted according to the desired range.



Detection range



H	A Across	B Towards	C Presence
2.5 m	∅ 20 m	∅ 12 m	∅ 5 m
3 m	∅ 20-22 m	∅ 12-13 m	∅ 5-6 m



230 V



stand-alone



360°



∅ 20 m from
a height of
3 m



2.5 - 3.4 m



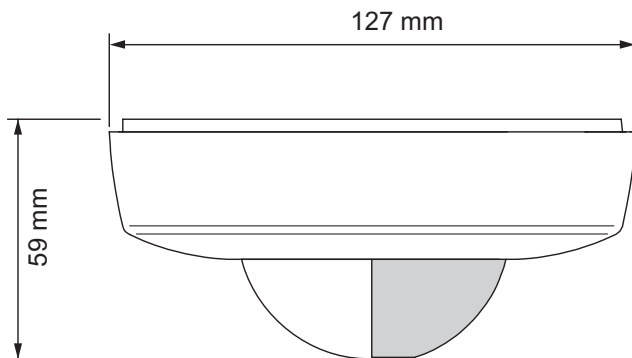
surface
mounting

niko

Technical data

Article number	350-20054
Input voltage	230 Vac \pm 10 %, 50 Hz
Detector output	230 V (ON/OFF)
Maximum MCB rating	10 A (limited by national installation rules)
Relay contact	N.O. (max. 10 A)
Maximum load incandescent and halogen lamps ($\cos\phi=1$)	2300 W
Maximum load economy lamps (CFLi)	350 W
Maximum load LED lamps 230 V	350 W
Maximum capacitive load	140 μ F
Maximum switching current	165 A/20 ms – 800 A/200 μ s
Light intensity range	10 lux – 1000 lux
Number of channels	1 channel
Switch-off delay	1 min – 30 min
Detection angle	360 °
Detection range (PIR)	\varnothing 20 m from a height of 3 m
Ambient temperature	-5 – +50 °C
Mounting method	surface mounting
Mounting height	2.5 – 3.4 m
Dimensions (HxWxD)	127 x 127 x 59 mm
Protection degree	IP20
Marking	CE

Dimensions



Wiring diagram

