

## Flange

Part no. 41341

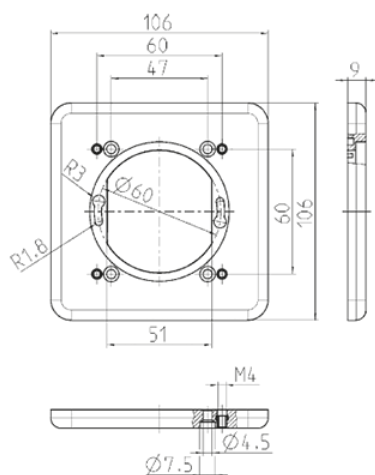


- for panel mounted receptacles of product groups 1733 and 1735. Using the flange, the receptacles can be fitted on flush mounted installation boxes
- flange: 106 x 106 mm/ fixing hole spacing: 60 x 60 mm

## Technical specifications

Weight	57 g
--------	------

## Drawing



Drawing  
1 MB 323

Dim. in mm