

36 712 361 Product version from 7/3/2016



- 190mm projection
- fixed spout
- circular, air-enriched flow
- hole diameter valve 35 mm
- hole diameter spout 35 mm
- slide-on rosettes Ø 55 mm
- max. flow 7 l/min
- lead-free
- This product can help a building meet the requirements of Green Building Rating Systems, e.g. LEED®, BREEAM®, DGNB

	Brushed Platinum	36 712 361-06
	Chrome	36 712 361-00
	Platinum	36 712 361-08
	Durabrand (23kt Gold)	36 712 361-09
	Brushed Durabrand (23kt Gold)	36 712 361-28
	Brushed Gold (PVD)	36 712 361-37
	Brushed Dark Brass (PVD)	36 712 361-39
	Brushed Bronze (PVD)	36 712 361-42
	Brushed Dark Platinum	36 712 361-99

Required miscellaneous



- Concealed wall-mounted mixer variable positioning -** 35 720 970 90
- min. recess depth 85 mm
 - max. recess depth 145 mm

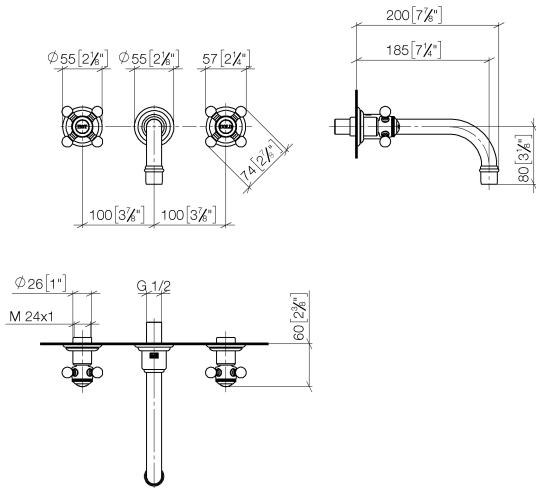
Required miscellaneous



- Concealed wall-mounted mixer centred spout -** 35 700 970 90
- min. recess depth 85 mm
 - max. recess depth 145 mm

36 712 361 Product version from 7/3/2016

mm [inches]



Flow rate chart



Codes & Standards

DIN 4109

ISO 3822

Scottish Water
Byelaws

UK Water Supply
Regulations

Ü-Zeichen



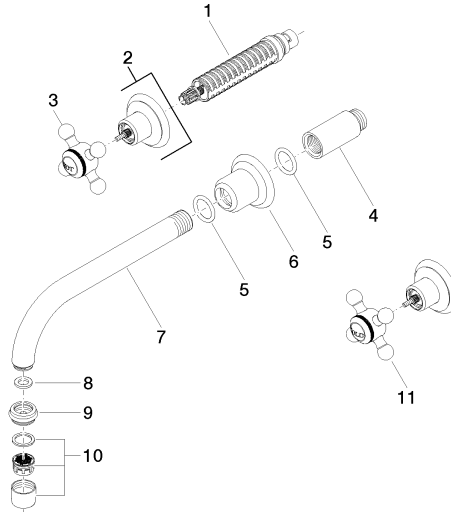
MADISON Wall-mounted basin mixer without pop-up waste - Brushed Platinum

MADISON

36 712 361 Product version from 7/3/2016

Certificates and sustainability

LGA_19	WRAS_250402	EPD-DOR-20230287 -IBA1-EN Environmental.prod uct-declarat
--------	-------------	--



98 712 361-FF

Spare parts list

No.	Item Number	Name	Quantity used	Delivery time
7	04 28 22 090 10-06	Spout 190 mm - Brushed Platinum	1.00	20
8	90 14 05 020 00 90	Washer 16,7 x 10,0 x 2,0 mm -	1.00	14
4	09 24 03 081 10 90	Extension 1/2" x 50 mm -	1.00	14
10	90 23 01 119 02-06	Aerator M22x1-IG 7,0 l/min. - Brushed Platinum	1.00	20
11	04 20 36 100 00-06	Handle Cold 57 x 57 x 34 mm - Brushed Platinum	1.00	20
1	90 90 03 157 00 90	Head part clockwise closing 1/2" -	2.00	14
6	09 27 36 010-06	Rosette Ø 55 x 40 mm - Brushed Platinum	1.00	20
2	36 310 361-06	MADISON Wall valve - Brushed Platinum	2.00	-
Spare part can no longer be ordered, please order the replacement item				
5	90 14 10 026 00 90	O-Ring 20,5 x 3,5 mm -	1.00	14
3	04 20 36 100 01-06	Handle Hot 57 x 57 x 34 mm - Brushed Platinum	1.00	20
9	09 24 03 022 10-06	Nipple M22 x1 x 18 x 1 - Brushed Platinum	1.00	20