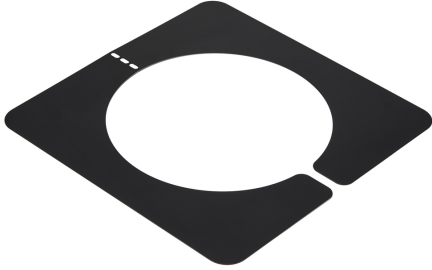


Features

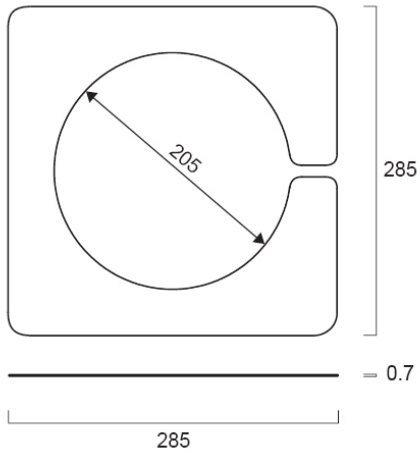
- REINFORCING PLATE 205



Product Overview

Product name	REINFORCING PLATE 205
Technology	Accessory
Housing	Steel
General application	Retail, Hospitality, Office
ETIM Class	EC002557
Housing colour	RAL9005
Product EAN number	5410288380032
Warranty	3 years

Technical drawings



Data table

GENERAL DATA

Product name	REINFORCING PLATE 205
Technology	Accessory
Type of accessory	Mounting plate
Housing	Steel
General application	Retail, Hospitality, Office
ETIM Class	EC002557
Warranty	3 years

ELECTRICAL DATA

Control gear required	No
-----------------------	----

PHYSICAL DATA

Housing colour	RAL9005
Nominal Product Height (mm)	0.7
Nominal Product Diameter (mm)	285

REINFORCING PLATE 205 0038003

Weight (kg)	0.22
-------------	------

PACKAGING

Product EAN number	5410288380032
Packaging single length / height (cm)	285.0
Packaging single width (cm)	285.0
Packaging single depth (cm)	0.7
DUN14 (inner)	15410288380039
Units per outer package	40
Packaging outer length / height (cm)	30.0
Packaging outer width (cm)	30.0
Packaging outer depth (cm)	6.5

SAFETY DATA

Special purpose lamp	No
Dry applications use only	No
Suitable for household illumination	No