

SYNC Single-lever mixer Pull-down with spray function - Brushed Dark Platinum

SYNC

33 870 895 Product version from 2/26/2015 to 10/30/2024



- 240mm projection
- pivotable spout 360°
- Optional swivel limiter available with swivel limiter set 12 821 970 90
- laminar and spray flow
- height of mixer 444 mm
- height up to laminar flow regulator 240 mm
- hole diameter 35 mm
- 1800 mm metal shower hose
- sprayface with anti-scaling system
- max. flow 10.4 l/min at 3 bar flow pressure
- lead-free
- Flow modes can be changed while the water is running
- This product can help a building meet the requirements of Green Building Rating Systems, e.g. LEED®, BREEAM®, DGNB

Intrinsic protection against back flow.

	Brushed Dark Platinum	33 870 895-99
	Chrome	33 870 895-00
	Brushed Platinum	33 870 895-06
	Platinum	33 870 895-08
	Dark Chrome	33 870 895-19
	Brushed Durabronze (23kt Gold)	33 870 895-28
	Matte Black	33 870 895-33
	Brushed Dark Brass (PVD)	33 870 895-39
	Brushed Bronze (PVD)	33 870 895-42
	Brushed Dark Bronze (PVD)	33 870 895-43
	Brushed Champagne (22kt Gold)	33 870 895-46
	Champagne (22kt Gold)	33 870 895-47
	Brushed Chrome	33 870 895-93

Recommended miscellaneous

Swivel limitation set - 12 821 970 90



Recommended miscellaneous

Dispenser without rosette - Brushed Dark Platinum 82 424 970-99

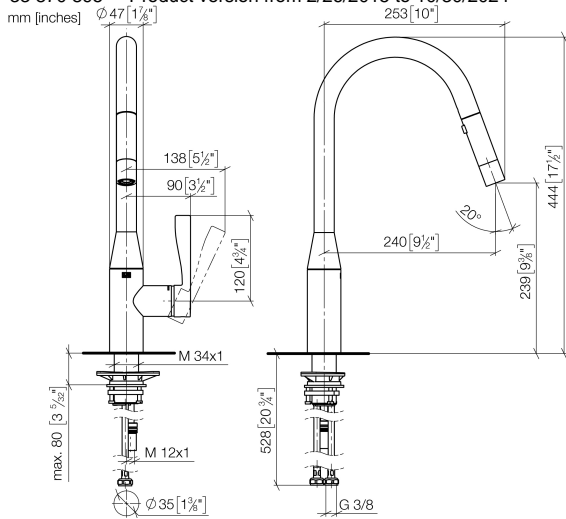


Recommended miscellaneous

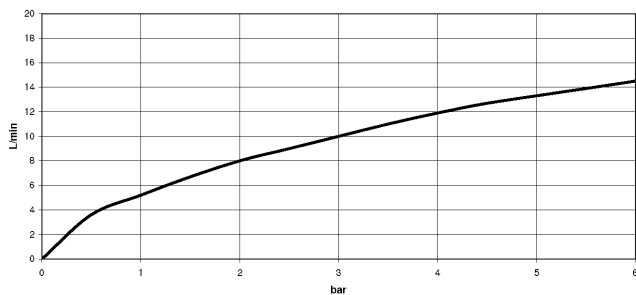
Strainer waste with control handle - Brushed Dark Platinum 10 712 970-99



33 870 895 Product version from 2/26/2015 to 10/30/2024



Flow rate chart



Codes & Standards

DIN 4109

EN 1717

Executive Order
no. 1007

ISO 3822

Ü-Zeichen



SYNC Single-lever mixer Pull-down with spray function - Brushed Dark
Platinum

SYNC

33 870 895 Product version from 2/26/2015 to 10/30/2024

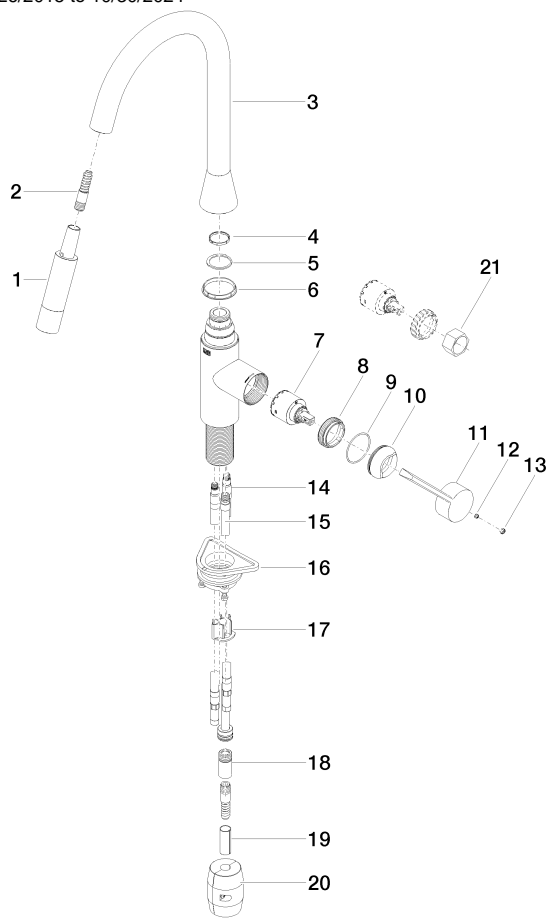
Certificates and sustainability

Belgaqua_21-027-2 GDV_0400

LGA_28

EPD-DOR-20230287 Belgaqua_25-340-2
-IBA1-EN
Environmental.prod
uct-declarat

33 870 895 Product version from 2/26/2015 to 10/30/2024





SYNC Single-lever mixer Pull-down with spray function - Brushed Dark Platinum

SYNC

33 870 895 Product version from 2/26/2015 to 10/30/2024

Spare parts list

No.	Item Number	Name	Quantity used	Delivery time
10	09 28 30 030-99	Cover Ø 42 x 17 mm - Brushed Dark Platinum	1.00	40
20	04 21 50 010 00 90	Weight for kitchen spray hoses 220g -	1.00	14
1	90 12 11 148 00-99	Rinsing spray - Brushed Dark Platinum	1.00	-
Spare part can no longer be ordered, please order the replacement item				
19	09 30 03 038 90	Tube slotted Ø 12 x 0,8 x 35 mm -	1.00	14
9	09 14 10 190 90	O-Ring EPDM 70 38,0 x 1,5 mm -	1.00	14
15	04 28 20 066 00 90	Connection Ø 16 x 285 mm -	1.00	-
Spare part can no longer be ordered, please order the replacement item				
	0428200670090	Pipe -		
14	04 30 04 098 00 90	High pressure hose M8x1 x 600 mm -	4.00	-
Spare part no longer available, please select one of the following items				
	0430041010090	High pressure hose M8x1 x 3/8" x 600 mm -		
	0430041030090	High pressure hose M8x1 x 9/16" x 600 mm -		
21	90 30 09 031 00 90	Spanner Cartridge screw connection -	1.00	14
6	09 28 10 161 90	Ring 42,99 x 5 x 42,95 mm -	1.00	14
16	04 30 11 040 00 90	Mounting for sink unit deck mounting with spacer M34 x 1 -	1.00	14
12	90 31 11 063 00 90	Mounting Threaded pin with hexagon socket with cup point M5 x 4 mm -	1.00	14
8	09 23 10 072 90	Mounting Nut M38 x 1 -	1.00	-
Spare part can no longer be ordered, please order the replacement item				
	09231013490	Nut -		
3	90 28 22 302 00-99	Spout 325 x 250 x 64 mm - Brushed Dark Platinum	1.00	40
13	90 31 20 087 00-99	Plug with O-ring Ø 7 x 2,1 mm - Brushed Dark Platinum	1.00	40
4	09 28 10 160 90	Ring 25,63 x 2,8 x 25,95 mm -	1.00	14
2	04 30 02 120 00-85	Tube M12x1 x M12x1 x 1800 mm - Stainless Steel	1.00	20
11	09 20 89 020-99	Handle Lever 142 x 44,50 x 23 mm - Brushed Dark Platinum	1.00	40
18	90 24 03 253 00 90	Adapter Ø 16 x 35 mm -	1.00	14
17	09 20 93 056 90	Hose guide 30 x 22,2 x 25 mm -	1.00	14
5	09 28 10 162 90	Ring Ø 32 x 1 mm -	1.00	14
7	90 15 05 046 05 90	Single-lever mixer cartridge insert 45° with fastening nut and adapter key , torque wrench Ø 35 mm x 58,6 mm -	1.00	14