



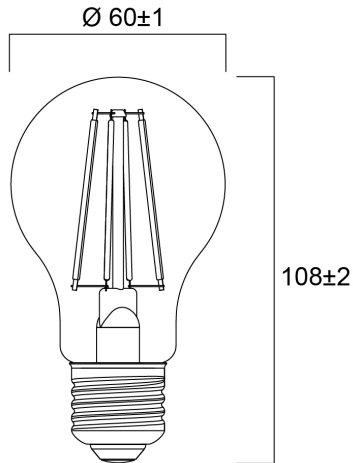
Features

- Perfect for decorative and general lighting applications and creates a warm ambiance similar to traditional lamps Same look, size and functionality as incandescent lamps Omni-directional light distribution Suitable replacement for incandescent and halogen lamps Gives same sparkling light effect as incandescent lamp Dimensionally identical to incandescent lamps - fits all fixtures Environment friendly - no mercury and lower CO2 emissions

Product Overview

Product name	ToLEDo RT GLS V5 ST 470LM 827 E27 SL
Technology	LED
Watt (Rated) (W)	4.5
Cap/Base	E27
Fixture rating	Open
E-number FI	4740916
Colour temperature (K)	2700
CRI (Ra)	80
Colour Variation Initial (SDCM)	6
Photobiological Risk Group	RG1
Wattage (W)	4.5
Product EAN number	5410288293356
Warranty	3 years

Technical drawings



Data table

GENERAL DATA

Product name	ToLEDo RT GLS V5 ST 470LM 827 E27 SL
Technology	LED
Watt (Rated) (W)	4.5
Cap/Base	E27
Fixture rating	Open
Operating temperature range (°C)	-20°C...+40°C
Performance ambient temperature Tq (°C)	25
E-number FI	4740916
Warranty	3 years

OPTICAL DATA

ToLEDo RT GLS V5 ST 470LM 827 E27 SL 0029335

Luminous flux (Rated) (lm)	470
Colour temperature (K)	2700
CRI (Ra)	80
Colour Variation Initial (SDCM)	6
Photobiological Risk Group	RG1
Lumen maintenance at end of nominal life (%)	70

ELECTRICAL DATA

Wattage (W)	4.5
Equivalent watt (W)	40
Primary Supply/Product voltage - min (V)	220
Control gear required	No
Inrush Current (A)	6.3
Inrush Duration (μ s)	240
Lamp Energy Label (class)	F
Nominal Frequency (Hz)	50/60Hz

LIFETIME DATA

Lifespan L70 B50	15000
Average life (Rated) (h)	15000

PHYSICAL DATA

Nominal Product Length (mm)	108
Nominal Product Diameter (mm)	60
Weight (kg)	0.03

PACKAGING

Single packaging type	Carton
Product EAN number	5410288293356
Packaging single width (cm)	6.6
Packaging single depth (cm)	12.0
DUN14 (outer)	15410288293353

SYLVANIA

ToLEDo RT GLS V5 ST 470LM 827 E27 SL
0029335

Packaging outer length / height (cm)	20.6
--------------------------------------	------

SAFETY DATA

Optimal operating condition (°C)	-20-40
Breakage cleaning instructions	Not applicable
Special purpose lamp	No
Dry applications use only	No
Suitable for household illumination	No
Safety message	Not Suitable for totally enclosed fixtures

Energy label



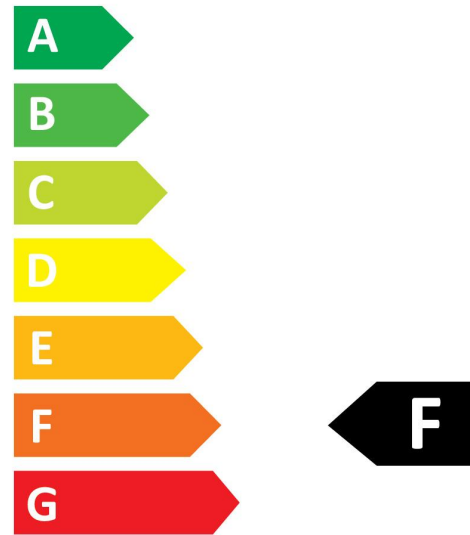
0029335



5 kWh/1000h



0029335



5 kWh/1000h



Light your world