

Panel mounted receptacle SCHUKO

Part number: 11031F



MENNEKES
Elektrotechnik GmbH & Co. KG

Aloys-Mennekes-Straße 1
57399 Kirchhundem
GERMANY

www.MENNEKES.org

Product Description

- screw connection technology
- straight insertion direction
- German standard
- for stationary use
- with hinged lid
- 3 screw terminals as connecting terminals for 1,5 - 2,5 mm²
- also suitable for cable ducts and flush mounted installation boxes

Technical Details

| Panel mounted receptacle SCHUKO | 11031F |
|---------------------------------------|-----------------------|
| Product serie | SCHUKO |
| Ampere | 16A |
| Number of poles | 2p+PE |
| Nominal voltage AC | 230V |
| Protection type IP | IP54 |
| Contact carrier | standard |
| X-CONTACT | no |
| Connection | screw terminals |
| Contact screw drive | PZ2, slot |
| Pilot contact | without pilot contact |
| Pilot contact switch | no |
| Flange dimensions | 75 x 75 mm |
| Hole spacings | 60 x 60 mm |
| Insertion direction | straight |
| Highly resistant to chemicals | no |
| Military version | no |
| Tightening torque connection terminal | 0.8 Nm |
| Conductor cross-section min. | 1.5 mm ² |
| Conductor cross-section max. | 2.5 mm ² |
| Weight (net) | 60 g |
| Packaging unit | 20 pcs |
| Quantity per pallet | 3040 pcs |

| | |
|---------------------------------|---------------|
| Panel mounted receptacle SCHUKO | 11031F |
| EAN / identification number | 4015394259145 |

Permissible ambient conditions

| | Min. | Max. |
|-----------------------------------|-------|-------|
| Permissible ambient temperature | -5 °C | 40 °C |
| Average temperature over 24 hours | | 35 °C |

Material properties

| | |
|------------|-----------------------------|
| Housing | PA6 blue [similar RAL 5007] |
| Hinged lid | PA6 blue [similar RAL 5007] |

Material resistance

The material resistance overview can be found on the website in the section “Knowledge” - “Product knowledge” - “Materials”.

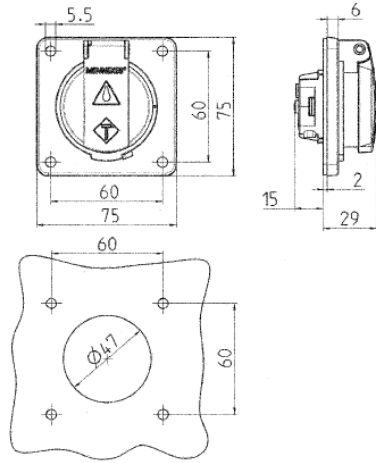
Material and environmental properties

| | |
|-----------------------------------|-----|
| RoHS 2011/65/EU incl. 2015/863/EU | ✓ |
| POP regulation (EU) 2019/1021 | ✓ |
| Halogen-free | yes |

Regulations and Standards

| | |
|---------------------------|------------------|
| Norm | DIN VDE 0620-2-1 |
| Declaration of Conformity | CE |
| Test label | EAC, VDE |

Dimensional Drawing



Drawing
1 MB 593

Dim. in mm