

# Panel mounted receptacle SCHUKO

Part number: 17038



**MENNEKES**  
Elektrotechnik GmbH & Co. KG

Aloys-Mennekes-Straße 1  
57399 Kirchhundem  
GERMANY

[www.MENNEKES.org](http://www.MENNEKES.org)

## Product Description

- screw connection technology
- straight insertion direction
- German standard
- with hinged lid
- 3 screw terminals as connecting terminals for 1,5 - 2,5 mm<sup>2</sup>
- bayonet lock lid attached by a strap

## Technical Details

Panel mounted receptacle SCHUKO	17038
Product serie	SCHUKO
Ampere	16A
Number of poles	2p+PE
Nominal voltage AC	230V
Protection type IP	IP68
Contact carrier	standard
X-CONTACT	no
Connection	screw terminals
Contact screw drive	PZ2, slot
Pilot contact	without pilot contact
Pilot contact switch	no
Insertion direction	straight
Highly resistant to chemicals	no
Military version	no
Tightening torque connection terminal	0.8 Nm
Conductor cross-section min.	1.5 mm <sup>2</sup>
Conductor cross-section max.	2.5 mm <sup>2</sup>
Weight (net)	93 g
Packaging unit	10 pcs
Quantity per pallet	2080 pcs
EAN / identification number	4015394288060

Permissible ambient conditions

	Min.	Max.
Permissible ambient temperature	-5 °C	40 °C
Average temperature over 24 hours		35 °C

Material properties

Housing	PA6 light grey [similar RAL 7035]
Hinged lid	PA6 blue [similar RAL 5007]
	PA6 light grey [similar RAL 7035]

Material resistance

The material resistance overview can be found on the website in the section “Knowledge” - “Product knowledge” - “Materials”.

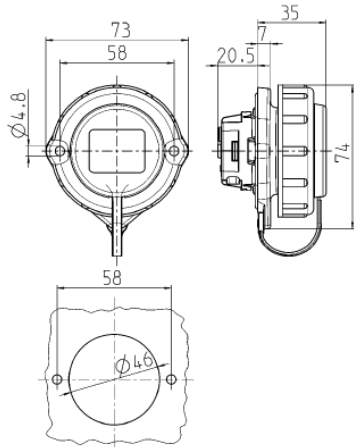
Material and environmental properties

RoHS 2011/65/EU incl. 2015/863/EU	✓
POP regulation (EU) 2019/1021	✓
Halogen-free	yes

Regulations and Standards

Norm	DIN VDE 0620-2-1
Declaration of Conformity	CE
Test label	VDE

# Dimensional Drawing



Drawing  
1 MB 629

Dim. in mm