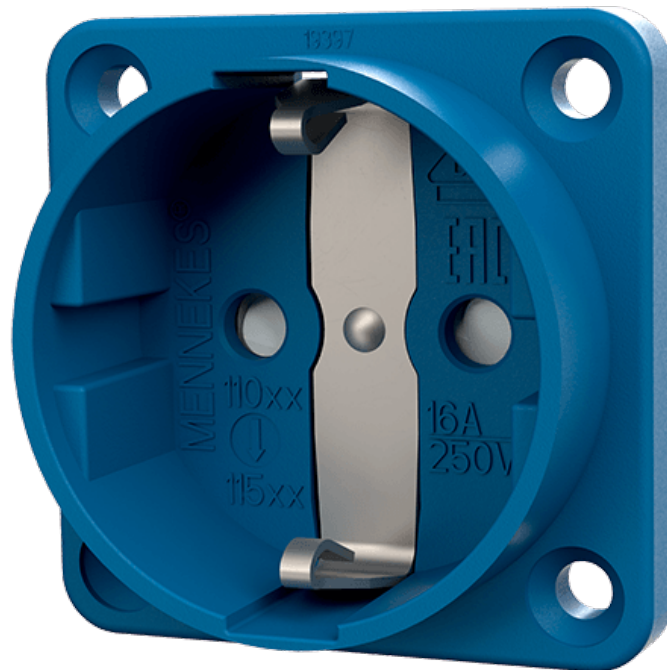


# Panel mounted receptacle SCHUKO

Part number: 11581



**MENNEKES**  
Elektrotechnik GmbH & Co. KG

Aloys-Mennekes-Straße 1  
57399 Kirchhundem  
GERMANY

[www.MENNEKES.org](http://www.MENNEKES.org)

## Product Description

- screw connection technology
- straight insertion direction
- German standard
- with integrated enhanced touch protection
- with hinged lid
- 3 screw terminals as connecting terminals for 1,5 - 2,5 mm<sup>2</sup>

## Technical Details

Panel mounted receptacle SCHUKO	11581
Product serie	SCHUKO
Ampere	16A
Number of poles	2p+PE
Nominal voltage AC	230V
Protection type IP	IP20
Contact carrier	standard
X-CONTACT	no
Connection	screw terminals
Contact screw drive	PZ2, slot
Pilot contact	without pilot contact
Pilot contact switch	no
Flange dimensions	50 x 50 mm
Hole spacings	38 x 38 mm
Insertion direction	straight
Highly resistant to chemicals	no
Military version	no
Tightening torque connection terminal	0.8 Nm
Conductor cross-section min.	1.5 mm <sup>2</sup>
Conductor cross-section max.	2.5 mm <sup>2</sup>
Weight (net)	40 g
Packaging unit	100 pcs
Quantity per pallet	5400 pcs
EAN / identification number	4015394195436

Permissible ambient conditions

	Min.	Max.
Permissible ambient temperature	-5 °C	40 °C
Average temperature over 24 hours		35 °C

Material properties

Housing	PA6 blue [similar RAL 5007]
Hinged lid	PA6 blue [similar RAL 5007]

Material resistance

The material resistance overview can be found on the website in the section “Knowledge” - “Product knowledge” - “Materials”.

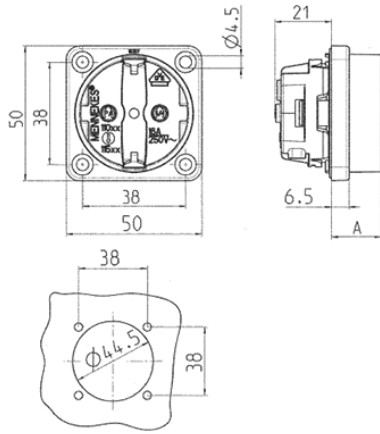
Material and environmental properties

RoHS 2011/65/EU incl. 2015/863/EU	✓
POP regulation (EU) 2019/1021	✓
Halogen-free	yes

Regulations and Standards

Norm	DIN VDE 0620-2-1
Declaration of Conformity	CE
Test label	EAC, VDE

# Dimensional Drawing



Drawing 1 MB 450 Dim. in mm	Dim. A
SCHUKO	19.0
French/Belgian standards	15.8
Danish standards	15.8