

Panel mounted receptacle

Part number: 10713



MENNEKES
Elektrotechnik GmbH & Co. KG

Aloys-Mennekes-Straße 1
57399 Kirchhundem
GERMANY

www.MENNEKES.org

Product Description

- plastic enclosure
- screw connection technology
- straight insertion direction
- British standard
- with integrated enhanced touch protection
- with hinged lid
- 3 screw terminals as connecting terminals for 1,5 - 2,5 mm²

Technical Details

Panel mounted receptacle	10713
Ampere	13A
Number of poles	2p+PE
Nominal voltage AC	230V
Protection type IP	IP44
Contact carrier	standard
X-CONTACT	no
Connection	screw terminals
Contact screw drive	PZ2
Pilot contact	without pilot contact
Pilot contact switch	no
Flange dimensions	55.5 x 55.5 mm
Hole spacings	42.5 x 42.5 mm
Insertion direction	straight
Highly resistant to chemicals	no
Military version	no
Tightening torque connection terminal	2 Nm
Strip length solid conductor	11 mm
Conductor cross-section min.	1.5 mm ²
Conductor cross-section max.	2.5 mm ²
IK code	IK05
Weight (net)	63 g
Packaging unit	10 pcs
Quantity per pallet	2080 pcs

Panel mounted receptacle	10713
EAN / identification number	4015394160069

Permissible ambient conditions		
	Min.	Max.
Permissible ambient temperature	-5 °C	40 °C
Average temperature over 24 hours		35 °C

Material properties	
Housing	plastic black [similar RAL 9011]
Hinged lid	plastic black [similar RAL 9011]

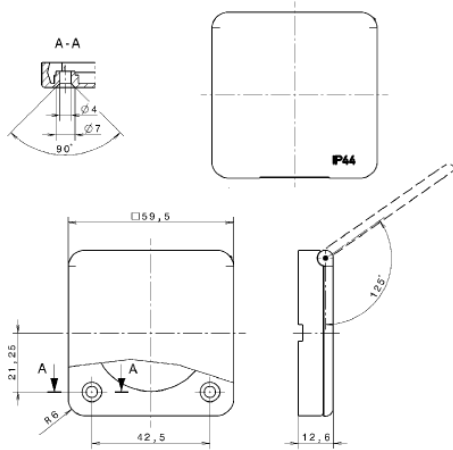
Material resistance

The material resistance overview can be found on the website in the section “Knowledge” - “Product knowledge” - “Materials”.

Material and environmental properties	
RoHS 2011/65/EU incl. 2015/863/EU	✓
POP regulation (EU) 2019/1021	✓
Halogen-free	yes

Regulations and Standards	
Norm	\$ctx.MennekesClassificationSystem_1_0_classReceptacles2025_pro
Declaration of Conformity	CE
Test label	EAC

Dimensional Drawing



Drawing
1 MB 422

Dim. in mm