

TARA Single-lever mixer - Brushed Platinum

TARA

33 800 888 Product version from 5/31/2010 to 10/27/2020



- 201mm projection
- pivotable spout 360°
- air-enriched flow
- height of mixer 325 mm
- height up to aerator 180 mm
- hole diameter 35 mm
- max. flow 7 l/min at 3 bar flow pressure
- lead-free
- WRAS
- This product can help a building meet the requirements of Green Building Rating Systems, e.g. LEED®, BREEAM®, DGNB

	Brushed Platinum	33 800 888-06
	Chrome	33 800 888-00
	Platinum	33 800 888-08
	Durabronze (23kt Gold)	33 800 888-09
	Dark Chrome	33 800 888-19
	Brushed Durabronze (23kt Gold)	33 800 888-28
	Matte Black	33 800 888-33
	Brushed Dark Brass (PVD)	33 800 888-39
	Brushed Bronze (PVD)	33 800 888-42
	Brushed Dark Bronze (PVD)	33 800 888-43
	Brushed Champagne (22kt Gold)	33 800 888-46
	Champagne (22kt Gold)	33 800 888-47
	Brushed Chrome	33 800 888-93
	Brushed Dark Platinum	33 800 888-99

Recommended miscellaneous

Strainer waste with control handle - Brushed Platinum 10 710 970-06

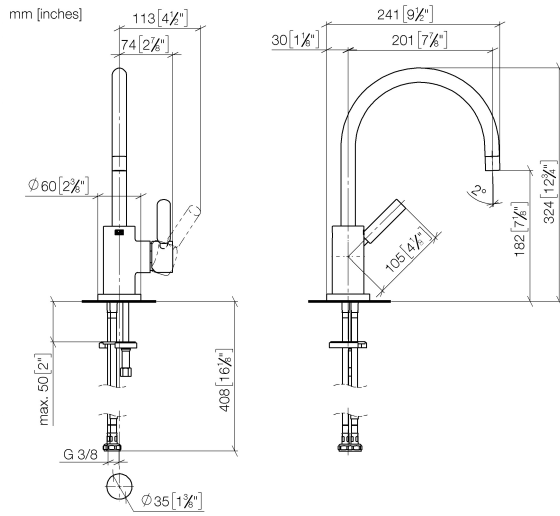


Recommended miscellaneous

Dispenser with rosette - Brushed Platinum 82 444 970-06



33 800 888 Product version from 5/31/2010 to 10/27/2020



Flow rate chart



Codes & Standards

DIN 4109

EN 817

Executive Order
no. 1007

ISO 3822

Scottish Water
Byelaws

UK Water Supply
Regulations

Ü-Zeichen

VA-Zeichen



TARA Single-lever mixer - Brushed Platinum

TARA

33 800 888 Product version from 5/31/2010 to 10/27/2020

Certificates and sustainability

WRAS_2311

GDV_0400

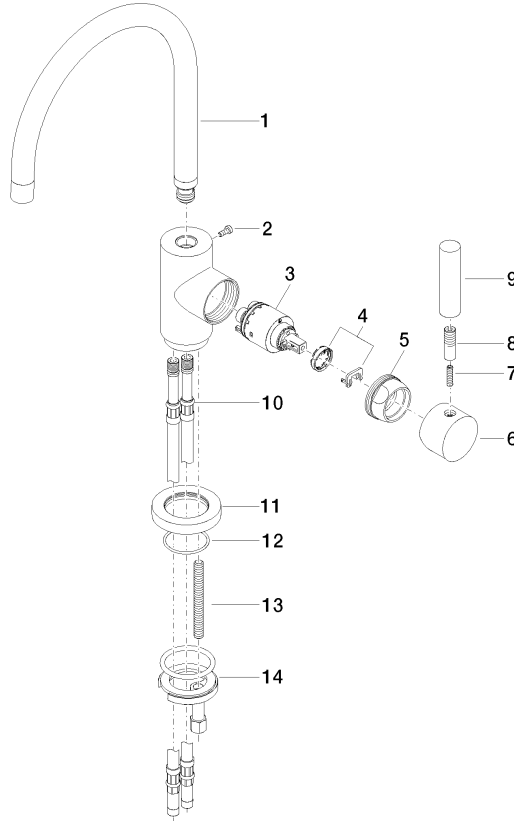
ETA_18

LGA_8

EPD-DOR-20230287
-IBA1-EN
Environmental.prod
uct-declarat

33 800 888 Product version from 5/31/2010 to 10/27/2020

Parts for other finishes can be found here: [Chrome](#)



Spare parts list

No.	Item Number	Name	Quantity used	Delivery time
7	09 31 11 010 90	Mounting Threaded pin with hexagon socket self-locking M5 x 20 mm -	1.00	14
8	90 24 04 048 00-06	Sleeve Nipple - Brushed Platinum	1.00	20
13	09 31 11 011 90	Mounting Threaded bolt M8 x 80 mm -	1.00	14
5	09 24 04 107-06	Connection Ø 40 x 20 mm - Brushed Platinum	1.00	20
11	09 28 10 055-06	Rosette Ø 60 x Ø 38,2 x 10 mm - Brushed Platinum	1.00	20
4	90 28 10 148 00 90	Temperature limitation ring -	1.00	14
14	04 30 11 038 00 90	Mounting with O-ring Ø40 x 4mm Ø 52 x 1,5 mm -	1.00	14
3	90 15 05 065 00 90	Cartridge -	1.00	14
1	90 28 22 048 02-06	Spout 225 x 244 x 25 mm, 7 l/min. - Brushed Platinum	1.00	20
2	09 30 30 054 90	Mounting Cylinder head screw with hexagon socket with low profile M4 x 10 mm -	1.00	14
9	11 170 880-06	Lever - Brushed Platinum	1.00	20
10	04 30 04 064 00 90	High pressure hose short shaft M10x1 x 420 mm -	2.00	-
Spare part can no longer be ordered, please order the replacement item				
	0430041040090	High pressure hose M10x1 x 3/8" x 420 mm -		
6	90 20 88 040 00-06	Handle Lower part of lever 98 x 64 x 64 mm - Brushed Platinum	1.00	20
12	09 14 10 034 90	O-Ring EPDM 70 38,0 x 2,0 mm -	1.00	14