

20 715 782 Product version from 3/10/2014



- 200mm projection
- fixed spout
- rectangular, air-enriched flow
- height of mixer 320 mm
- height up to aerator 195 mm
- hole diameter spout 35 mm
- hole diameter valve 32 mm
- rosette 60 x 60 mm
- 2x screw-in M 10 x 1 pressure hose, leak-tested
- max. flow 8.3 l/min
- lead-free
- This product can help a building meet the requirements of Green Building Rating Systems, e.g. LEED®, BREEAM®, DGNB
- WRAS

Only suitable for basins with an overflow.

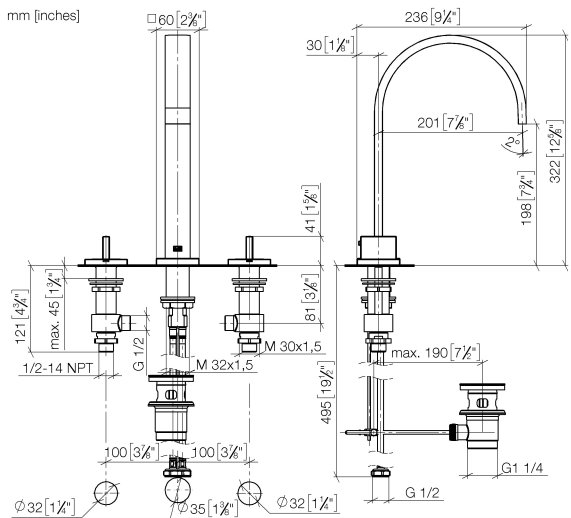
	Brushed Platinum	20 715 782-06
	Chrome	20 715 782-00
	Platinum	20 715 782-08
	Dark Chrome	20 715 782-19
	Brushed Light Gold (PVD)	20 715 782-27
	Brushed Durabronze (23kt Gold)	20 715 782-28
	Brushed Gold (PVD)	20 715 782-37
	Brushed Dark Brass (PVD)	20 715 782-39
	Brushed Bronze (PVD)	20 715 782-42
	Brushed Dark Bronze (PVD)	20 715 782-43
	Brushed Champagne (22kt Gold)	20 715 782-46
	Champagne (22kt Gold)	20 715 782-47
	Brushed Dark Platinum	20 715 782-99

**Recommended miscellaneous**

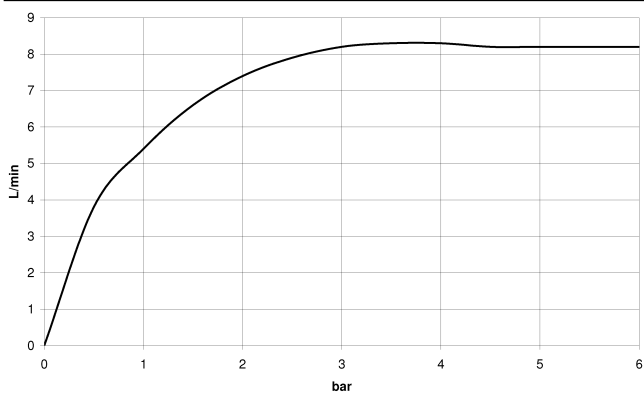


**High pressure hoses -** 12 506 970 90  
 • 2x 3/8" x 1/2" x 500mm high pressure hose

20 715 782 Product version from 3/10/2014



**Flow rate chart**



**Codes & Standards**

DIN 4109	EN 200	Executive Order no. 1007	ISO 3822
Scottish Water Byelaws	UK Water Supply Regulations	Ü-Zeichen	VA-Zeichen



## MEM Three-hole basin mixer with pop-up waste - Brushed Platinum

MEM

20 715 782 Product version from 3/10/2014

### Certificates and sustainability

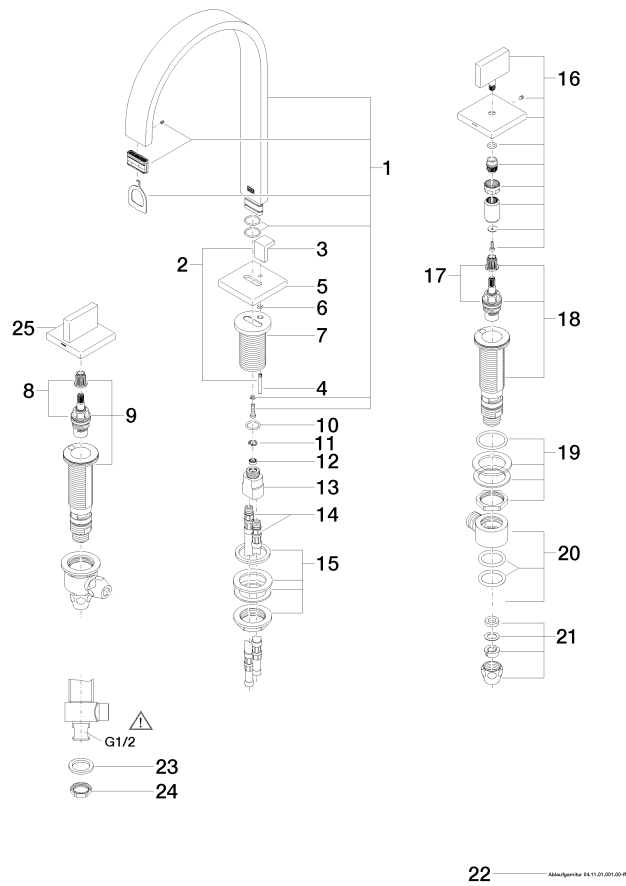
WRAS\_2306

LGA\_18

GDV\_0400

ETA\_18

EPD-DOR-20230287  
-IBA1-EN  
Environmental.prod  
uct-declarat



**Spare parts list**

No.	Item Number	Name	Quantity used	Delivery time
17	90 90 03 153 00 90	Head part clockwise closing extended, 7mm 1/2" -	1.00	14
20	04 17 11 023 10 90	Connection Distributor, complete 1/2" -	2.00	14
19	04 23 10 032 78 90	Mounting with seals M30 x 1,5 -	2.00	14
18	04 17 11 058 53 90	Side piece clockwise closing 1/2" -	1.00	14
2	04 20 78 030 80-06	Pull rod for pop-up waste with button 18 x 83 x 18 mm - Brushed Platinum	1.00	20
8	90 90 03 152 00 90	Head part anti-clockwise closing extended, 7mm 1/2" -	1.00	14
21	90 23 30 040 00-06	Union piece - Brushed Platinum	4.00	20
15	04 23 10 009 01 90	Mounting with seals M32 x 1,5 -	1.00	14
16	90 20 78 002 04-06	Handle for side valve Cold 60 x 75 x 60 mm - Brushed Platinum	1.00	20
9	04 17 11 058 52 90	Side piece 1/2" -	1.00	14
23	09 30 11 059 90	Disc -	2.00	14
7	09 11 10 054 10 90	Connection Ø 45 x 65 mm -	1.00	14
24	09 23 10 012 90	Mounting Nut SW 24 1/2" -	2.00	14
5	09 27 78 032-06	Rosette for washstand deck-mounted spout with pop-up waste 60 x 60 x 9 mm - Brushed Platinum	1.00	20
22	90 11 01 001 00-06	Basin Waste - Brushed Platinum	1.00	20
12	09 23 01 052 90	Flow limiter yellow 8,3 l/min. -	1.00	14
13	09 11 10 055 10 90	Connection 19 x 35 x 26 mm -	1.00	14
1	90 28 22 155 00-06	Spout 200 x 35 x 11 x 312 mm - Brushed Platinum	1.00	20
11	09 16 01 016 90	Ring Retaining ring Ø 10 x 1 mm -	1.00	14
3	09 20 78 030-06	Pull button 18,5 x 24 x 18 mm - Brushed Platinum	1.00	20
25	90 20 78 002 05-06	Handle for side valve Hot 60 x 75 x 60 mm - Brushed Platinum	1.00	20
10	09 14 10 130 90	O-Ring EPDM 70 14,0 x 2,00 mm -	1.00	14
4	09 31 09 080-06	Pull rod for pop-up waste Ø 4 x 400 mm - Brushed Platinum	1.00	20
6	09 14 10 166 90	O-Ring NBR 70 4,1 x 1,6 mm -	1.00	14
14	04 30 04 019 00 90	High pressure hose with sleeve nut M10x1 x 1/2" x 420 mm -	2.00	14