

Light sensor, 24 V, 3 lux – 60000 lux, IP54, grey

350-10012

4 year
warranty

This photo cell is used in combination with a daylight control module (360-35010). The light sensitivity can be set from 3 to 300 lx, from 30 lx to 3 klx, from 300 lx to 30 klx or from 600 lx to 60 klx. This photo cell is suitable for outdoor applications and has an IP54 protection degree. Finishing colour: grey



- Sustainable, functional, reliable
- Simple installation
- Small, discreet
- Adjustable light sensitivity:
 - 3 – 300 lux
 - 30 – 3,000 lux
 - 300 – 30,000 lux
 - 600 – 60,000 lux
- IP54

Photo cell to measure the daylight that enters the room

- The light sensor measures the daylight that enters the room and sends a 0-10 V signal corresponding to the connected daylight control module.
- Can also be combined with the Niko Home Control analogue sensor module (550-00230).



24V



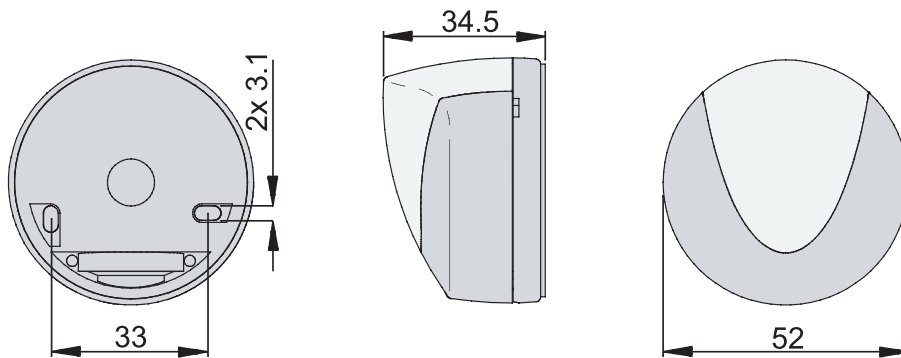
surface
mounting

niko

Technical data

Article number	350-10012
Input voltage	24 Vdc \pm 10 %
Detector output	0-10 V
Light intensity range	3 lux – 60000 lux
Number of channels	1 channel
Ambient temperature	-40 – +50 °C
Mounting method	surface mounting
Dimensions (HxWxD)	52 x 52 x 34.5 mm
Protection degree	IP54
Marking	CE

Dimensions



Wiring diagram

