

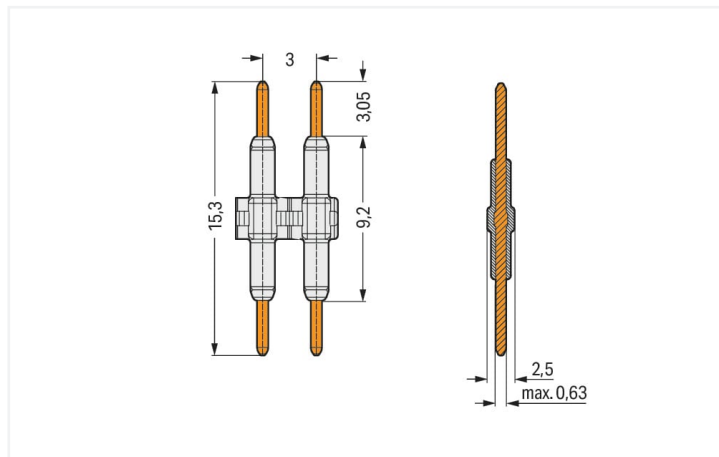
# Data Sheet | Item Number: 2059-901

Board-to-Board Link; Pin spacing 3 mm; 1-pole; Length: 15.3 mm; white

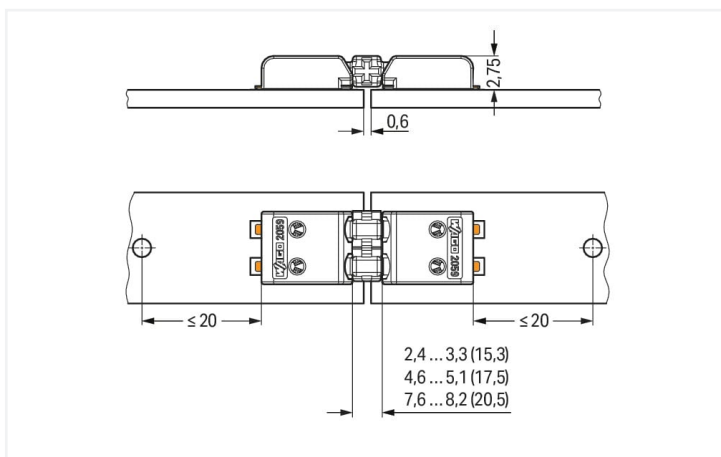
<https://www.wago.com/2059-901>



Color: ■ white



Dimensions in mm



Dimensions in mm

- Board-to-board links simplify LED module assembly
- Easy push-in connection and disconnection

## Electrical data

| Ratings per          | IEC/EN 60664-1 |        |        |
|----------------------|----------------|--------|--------|
|                      | III            | III    | II     |
| Overvoltage category | III            | III    | II     |
| Pollution degree     | 3              | 2      | 2      |
| Nominal voltage      | 63 V           | 160 V  | 320 V  |
| Rated surge voltage  | 2.5 kV         | 2.5 kV | 2.5 kV |
| Rated current        | 3 A            | 3 A    | 3 A    |

## Connection data

|                            |   |
|----------------------------|---|
| Total number of potentials | 1 |
|----------------------------|---|

### Connection 1

|             |   |
|-------------|---|
| Pole number | 1 |
|-------------|---|

### Physical data

|             |                        |
|-------------|------------------------|
| Pin spacing | 3 mm / 0.118 inches    |
| Width       | 2.7 mm / 0.106 inches  |
| Height      | 2.5 mm / 0.098 inches  |
| Depth       | 15.3 mm / 0.602 inches |

### Mechanical data

|                         |   |
|-------------------------|---|
| Mating cycles (max.)    | 10  |
| Number of mating cycles | 10 connections/disconnections (max.)      |
| Suitable                | for SMD PCB terminal blocks (2059 Series) |

### Material data

|                             |  |
|-----------------------------|--|
| Note (material data)        | <a href="https://www.wago.com/us/material-specifications">Information on material specifications can be found here</a> |
| Color                       | white  |
| Material group              | I  |
| Insulation material         | Polyamide (PA66)   |
| Flammability class per UL94 | V0   |
| Contact material            | Copper alloy   |
| Contact plating             | Silver   |
| Fire load                   | 0.001 MJ   |
| Weight                      | 0.1 g  |

### Environmental requirements

|                         |                 |
|-------------------------|-----------------|
| Limit temperature range | -60 ... +105 °C |
|-------------------------|-----------------|

### Commercial data

|                       |               |
|-----------------------|---------------|
| eCl@ss 10.0           | 27-14-11-92   |
| eCl@ss 9.0            | 27-14-11-92   |
| ETIM 8.0              | EC002848      |
| ETIM 7.0              | EC002848      |
| PU (SPU)              | 1500 pcs      |
| Packaging type        | Box           |
| Country of origin     | CN            |
| GTIN                  | 4055143610100 |
| Customs tariff number | 85369010000   |

### Environmental Product Compliance

|                        |                         |
|------------------------|-------------------------|
| RoHS Compliance Status | Compliant, No Exemption |
|------------------------|-------------------------|

## Approvals / Certificates

### General approvals



| Approval                                   | Standard     | Certificate Name |
|--|--------------|------------------|
| CCA<br>DEKRA Certification B.V.            | EN 60947-7-4 | NTR NL-7819      |
| CCA<br>DEKRA Certification B.V.            | EN 60947-7-4 | 71-111131        |
| CCA<br>DEKRA Certification B.V.            | EN 60838     | NTR NL-7720      |
| cURus<br>Underwriters Laboratories<br>Inc. | UL 1059      | E45172           |
| KEMA/KEUR<br>DEKRA Certification B.V.      | EN 60838     | 71-106226        |
| UL<br>Underwriters Laboratories<br>Inc.    | UL 1977      | E45171           |

## Downloads

### Environmental Product Compliance

#### Compliance Search

Environmental Product  
Compliance 2059-901



## Documentation

### Additional Information

Technical Section

03.04.2019

pdf  
2010.85 KB



## CAD/CAE-Data

### CAD data

2D/3D Models  
2059-901



### CAE data

ZUKEN Portal  
2059-901

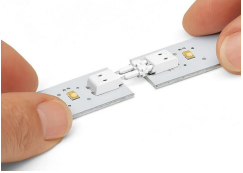


## Installation Notes

### Installation



Installation



Installation

