

Technical data sheet

Empty housing X 16

Item number: 2005610



Junction box for the connection of cables and lines indoors and in outdoor areas. Rectangular design without entries. Suitable for wall and ceiling mounting with the option to fasten outside, inside or to mount via the corner domes. Particularly impact resistant with IK09. Cover with quick lock, sealable. Made from halogen-free and UV-resistant materials.

Junction box according to DIN EN 60670. Impact resistance IK09 according to DIN EN 50102. Protection rating IP67 according to DIN EN 60529.



PC Polycarbonate

Master data

Item number	2005610
Type	X16C SW
Description 1	Empty Enclosure
Manufacturer	OBO
Dimension	240x191x125
Colour	Graphite black; RAL 9011
Material	Polycarbonate
Smallest sales unit	1
Unit of quantity	Piece
Weight	78.4 kg
Weight unit	kg/100 pc.
CO2 Footprint (GWP) Cradle-to-Gate	2,9673 kg CO2e / 1 Piece

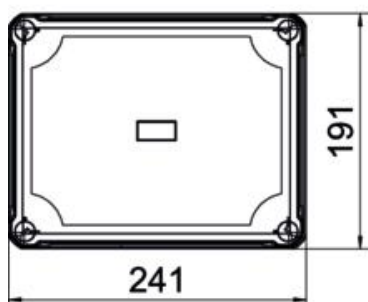
Technical data sheet

Empty housing X 16

Item number: 2005610



Dimensions



Length	241 mm
Width	191 mm
Height	126 mm

Technical data

Extension option	no
Cover fastening	Screwed
Shape	Rectangular
Suitable for outdoor use	yes
Clear internal dimensions with lid	227x177x110 mm yes
Mounting type	Surface-mounted
Protection rating	IP67
Protection rating IK code	IK09
Protection class	II
Permitted temperature range, max.	65 °C
Permitted temperature range, min.	-25 °C
Weatherproof	yes