

Technische Daten/ Technical Data

KLUDI NOVA FONTE

concealed wall mounted basin mixer 180

DN 15

Style: PURA

Ref.: 20244O215

Finishes:

O2 Matt Light Dove

Product description

Manufacturer KLUDI GmbH & Co. KG

Typ: KLUDI NOVA FONTE

concealed wall mounted basin mixer 180

Ref.: 20244O215

wall mounted basin mixer

concealed 2-hole basin mixer

projection 180mm

single lever mixer

trim set without pre-installation set

for pre-installation set KLUDI Ref.: 38242

solid lever, metal

aerator, S-Pointer M18,5 PCA

flow rate at 3 bar 4,5 l/min.

fixed spout

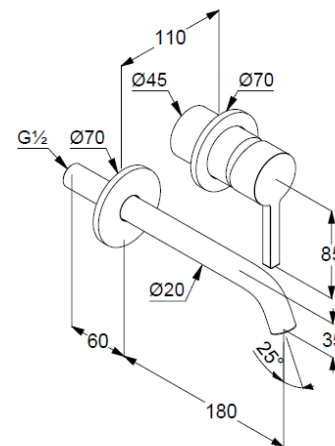
EU taxonomy: max. 6 l/min. -

Substantial Contribution (SC) possible

Produktabbildung/ Product picture



Maßzeichnung/ Dimensional drawing



Durchfluss/ Flow rate

