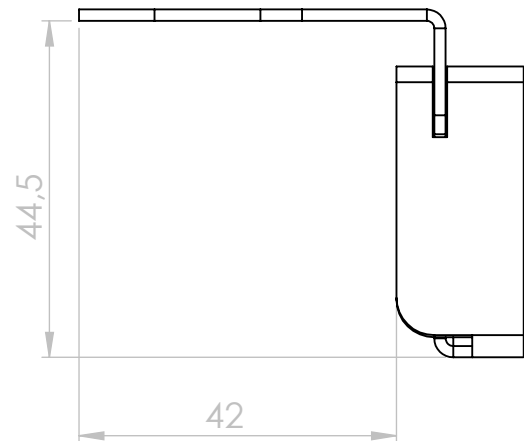
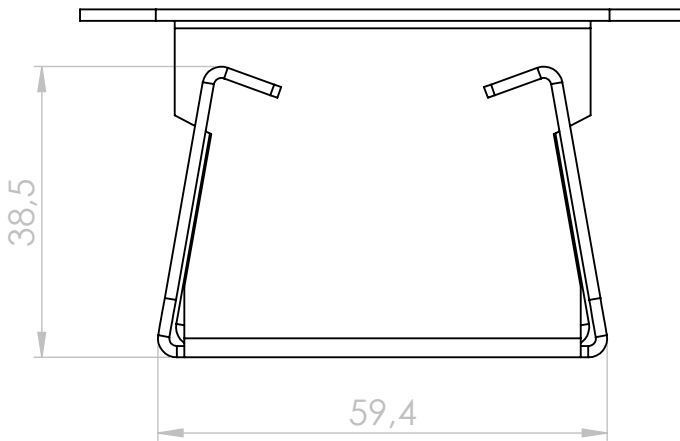
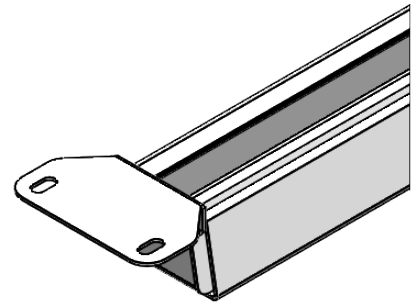
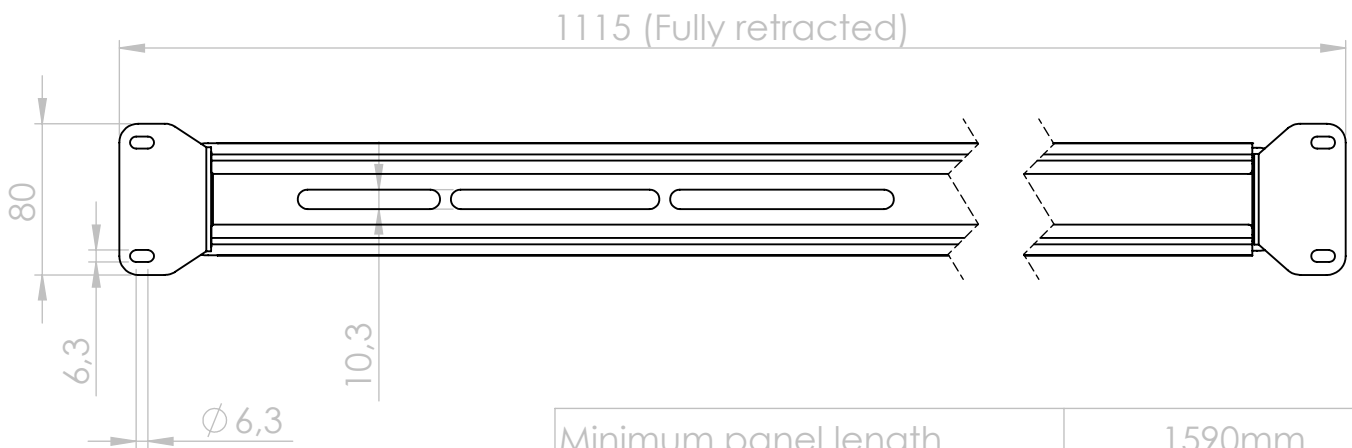


COMMERCIAL DRAWING



SCALE 1:1



Minimum panel length	1590mm
Maximum panel length	1800mm

ESDEC

INNOVATIVE MOUNTING SYSTEMS

ESDEC BV
Londenstraat 16
7418 EE Deventer
The Netherlands

DISCLAIMER
 NO RIGHTS CAN BE DERIVED FROM THE
 INFORMATION PROVIDED BY THIS DOCUMENT.

PRODUCT LINE:
 FlatFix Fusion

TITLE:
 FFF Anchor Bar 1600-1800

ARTICLE NO: 100-7270

Units:	mm
--------	----

Drawn:	23-09-2020	MG	Scale:	1:4
--------	------------	----	--------	-----

Checked:	16-03-2021	JFDG	Size:	
----------	------------	------	-------	--

Last mod.:	23-09-2020	MG	Size:	A4
------------	------------	----	-------	-----------

MATERIAL:
 Steel Magnelis 1,5mm

COLOR INFORMATION:
 Magnelis

WEIGHT:
 3.4 kg

DRAWING STATUS:	Released	Revision	01
-----------------	----------	----------	----