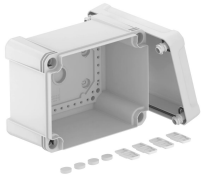


Technical data sheet

Empty housing X 10

Item number: 2005466



Junction box for the connection of cables and lines indoors and in outdoor areas. Rectangular design without entries. Suitable for wall and ceiling mounting with the option to fasten outside, inside or to mount via the corner domes. Particularly impact resistant with IK09. Cover with quick lock, sealable. Made from halogen-free and UV-resistant materials.

Junction box according to DIN EN 60670. Impact resistance IK09 according to DIN EN 50102. Protection rating IP67 according to DIN EN 60529.



PC Polycarbonate

Master data

Item number	2005466
Type	X10C LGR
Description 1	Empty Enclosure
Manufacturer	OBO
Dimension	190x150x125
Colour	Light grey; RAL 7035
Material	Polycarbonate
Smallest sales unit	1
Unit of quantity	Piece
Weight	58.5 kg
Weight unit	kg/100 pc.
CO2 Footprint (GWP) Cradle-to-Gate	2,1992 kg CO2e / 1 Piece

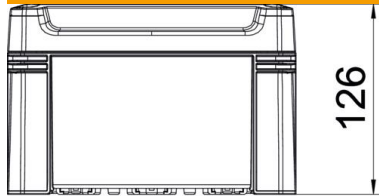
Technical data sheet

Empty housing X 10

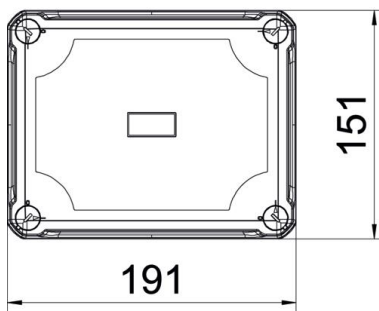
Item number: 2005466



Dimensions



Length	191 mm
Width	151 mm
Height	126 mm



Technical data

Extension option	no
Cover fastening	Screwed
Shape	Square
Suitable for outdoor use	yes
Clear internal dimensions	177x137x110 mm
with lid	yes
Mounting type	Surface-mounted
Protection rating	IP67
Protection rating IK code	IK09
Protection class	II
Permitted temperature range, max.	65 °C
Permitted temperature range, min.	-25 °C
Weatherproof	yes