

Spare part list

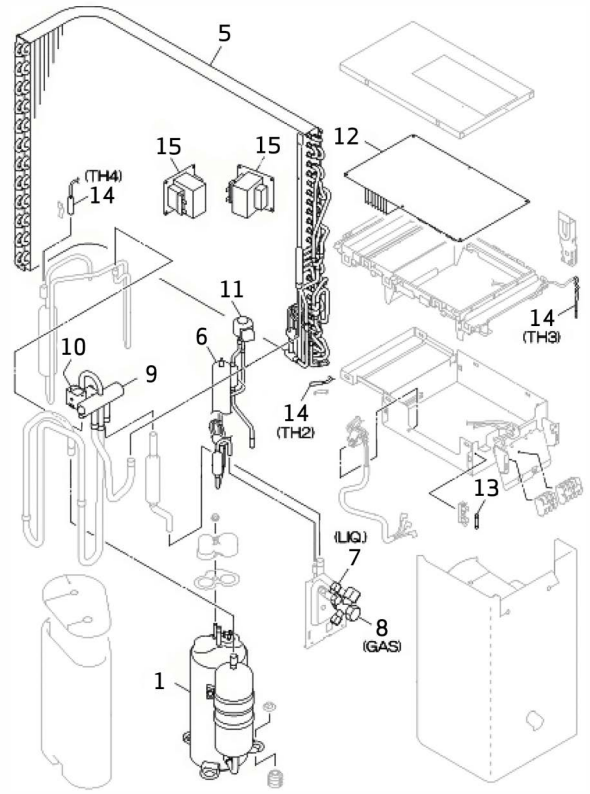
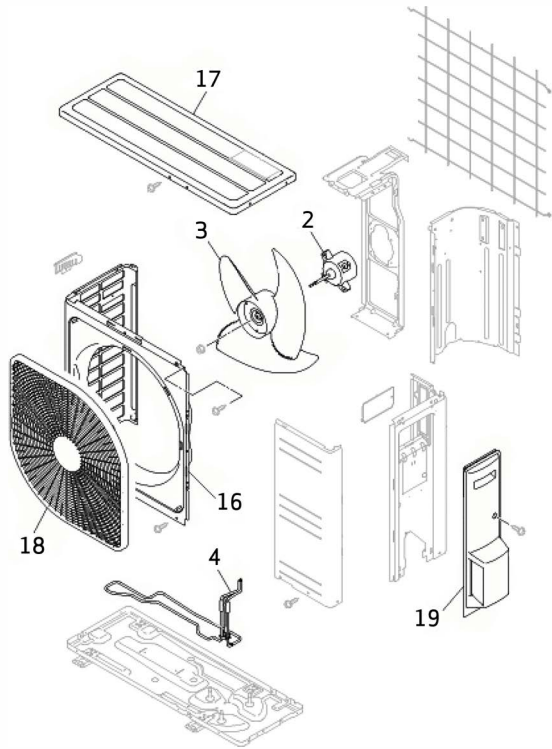
METROAIR L

Air-water heat pump

METROAIR L6

Pos. nr.	Description	METRO nr.
1	COMPRESSOR METROAIR L6	8156450802
2	FAN MOTOR, DC, METROAIR L6	8156450803
3	FAN BLADE, METROAIR L6	8156450804
4	DRAIN PAN HEATER METROAIR L6	8156450805
5	HEAT EXCH. ASSY METROAIR L6	8156450806
6	EXP PIPING ASSY METROAIR L6	8156450807
7	SERVICE VALVE LP METROAIR L6	8156450808
8	SERVICE VALVE HP METROAIR L6	8156450809
9	4-WAY VALVE METROAIR L6	8156450810
10	SOLENOID COIL ASSY METROAIR L6	8156450811
11	SOLENOID VALVE METROAIR L6	8156450812
12	PWB ASSY METROAIR L6	8156450813
13	FUSE (CURRENT) METROAIR L6	8156450814
14	TEMP.SENSOR KIT TH2,3,4 METROAIR L6	8156450815
15	REACTOR METROAIR L6	8156450816
16	PANEL ASSY,FRONT METROAIR L6 (LIGHT GREY)	8156450817
17	PANEL ASSY, TOP METROAIR L6 (LIGHT GREY)	8156450818
18	GRILLE,AIR OUTLET METROAIR L6 (LIGHT GREY)	8156450819
19	COVER ASSY,SERVICE METROAIR L6 (LIGHT GREY)	8156450820

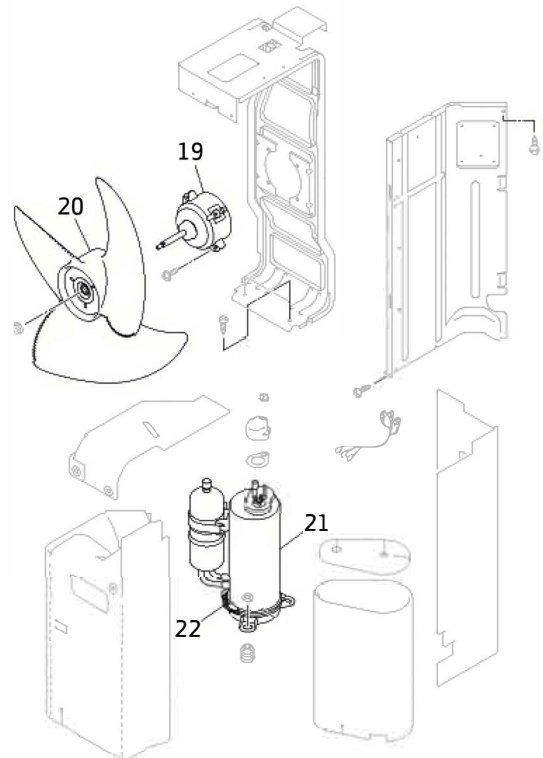
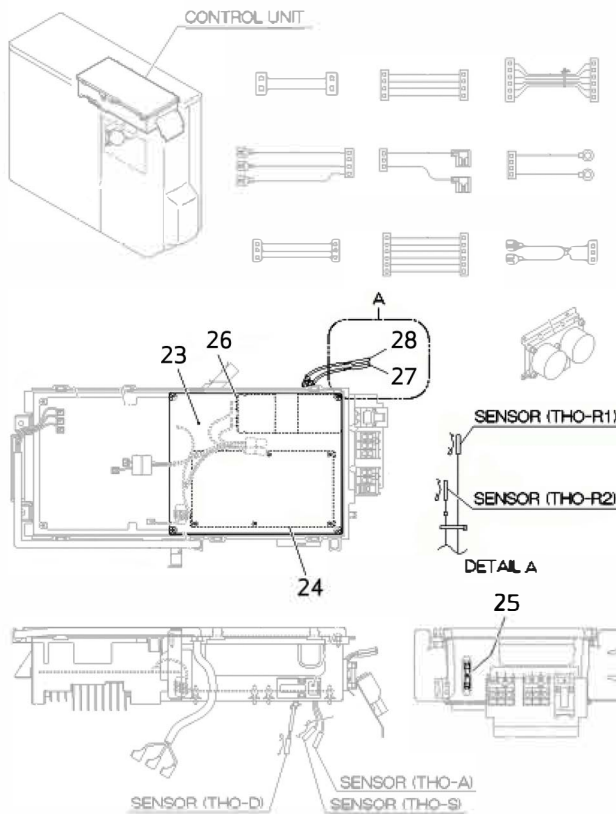
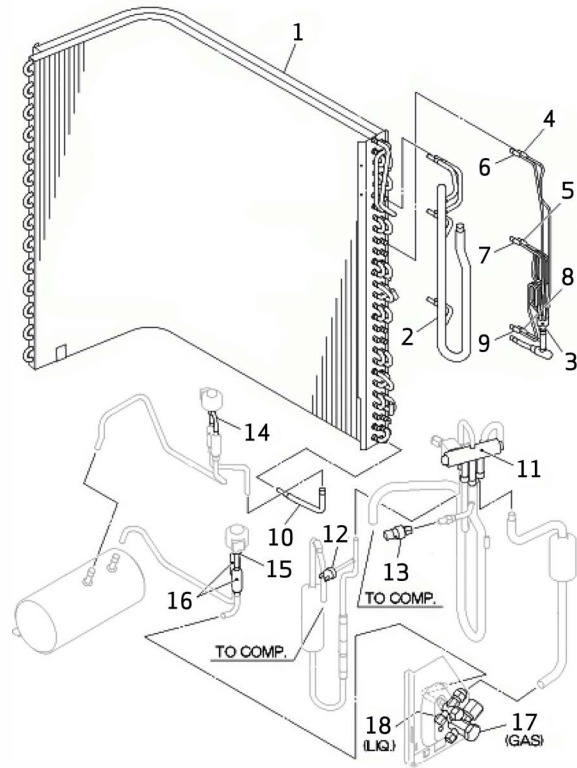
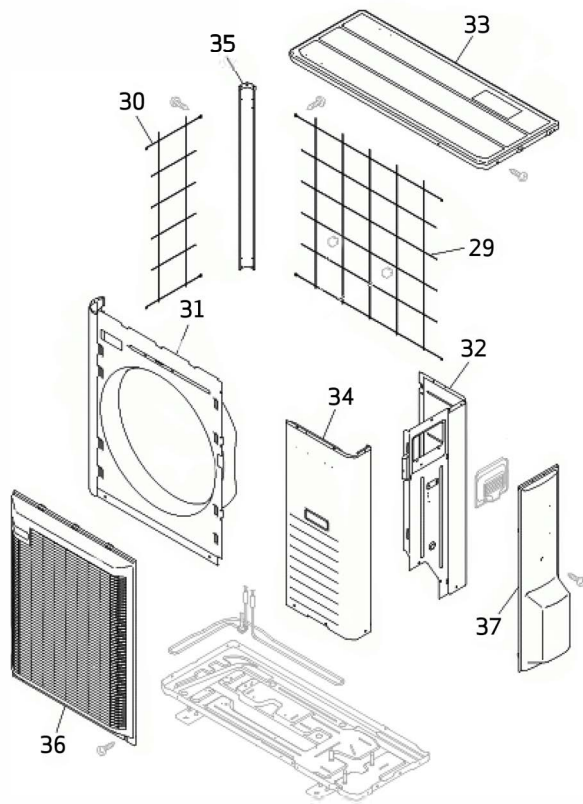
METROAIR L6



METROAIR L8

Pos. nr.	Description	METRO nr.
1-10	EVAPORATOR METROAIR L8	8156450840
11	VALVE,S(4WAY) METROAIR L8	8156450841
12	SWITCH,HP METROAIR L8	8156450842
13	SENSOR,LP METROAIR L8	8156450843
14	VALVE,BODY(EXP) METROAIR L8	8156450844
15-16	VALVE ASSY,EXP (COOL) METROAIR L8	8156450845
17	VALVE,SERVICE(5/8") METROAIR L8	8156450846
18	VALVE,SERVICE(3/8") METROAIR L8	8156450847
19	MOTOR,DC METROAIR L8	8156450848
20	FAN,PROPELLER METROAIR L8	8156450849
21	COMPRESSOR ASSY METROAIR L8	8156450850
22	HEATER ASSY(CRANK) METROAIR L8	8156450851
23	PWB ASSY(CONTROL) METROAIR L8	8156450852
24	PWB ASSY METROAIR L8	8156450853
25	FUSE(CURRENT) METROAIR L8	8156450854
26	CAPACITOR METROAIR L8	8156450855
27	SENSOR ASSY METROAIR L8	8156450856
28	SENSOR ASSY METROAIR L8	8156450857
29	GUARD,FIN(A) METROAIR L8 (LIGHT GREY)	8156450858
30	GUARD, FIN(B) METROAIR L8 (LIGHT GREY)	8156450801
31	PANEL ASSY,FRONT METROAIR L8 (LIGHT GREY)	8156450859
32	PANEL ASSY,REAR METROAIR L8 (LIGHT GREY)	8156450860
33	PANEL ASSY,TOP METROAIR L8 (LIGHT GREY)	8156450861
34	PANEL ASSY,SERVICE METROAIR L8 (LIGHT GREY)	8156450862
35	SUPPORT,CORNER METROAIR L8 (LIGHT GREY)	8156450863
36	GRILLE,AIR OUTLET METROAIR L8 (LIGHT GREY)	8156450864
37	COVER ASSY,SERVICE METROAIR L8 (LIGHT GREY)	8156450865

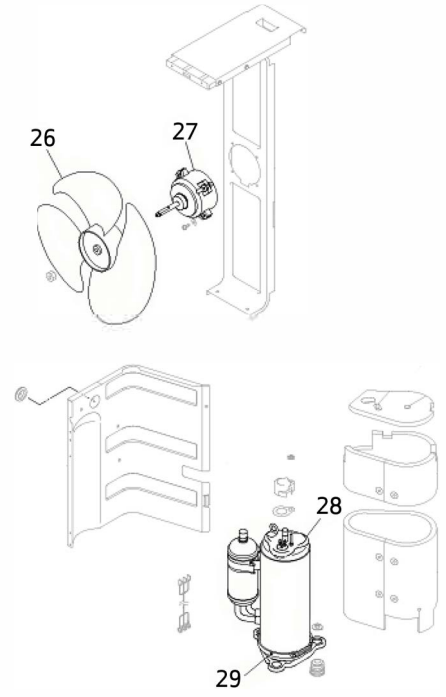
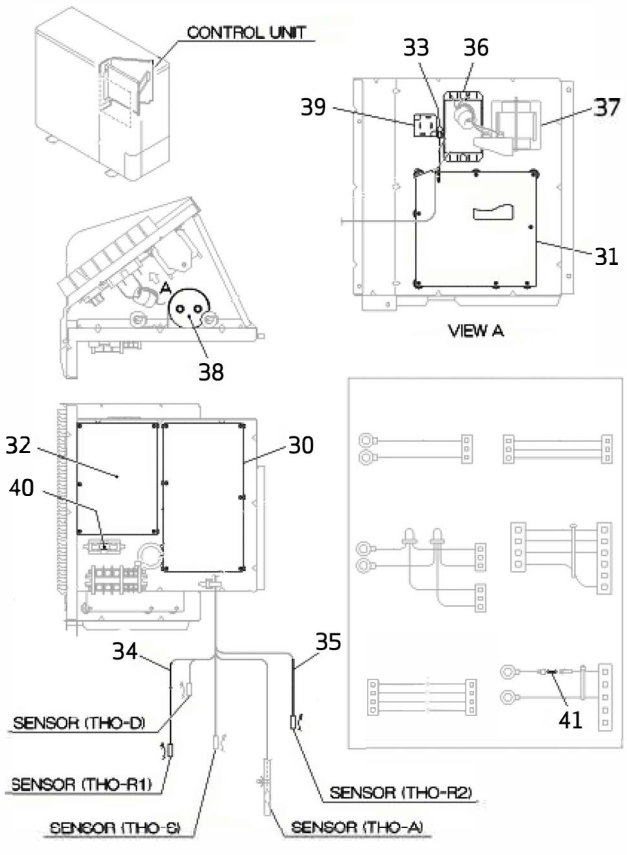
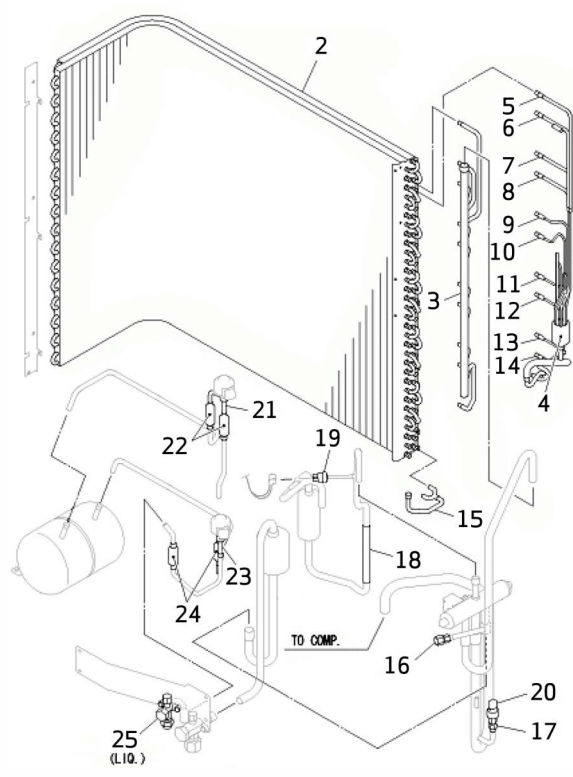
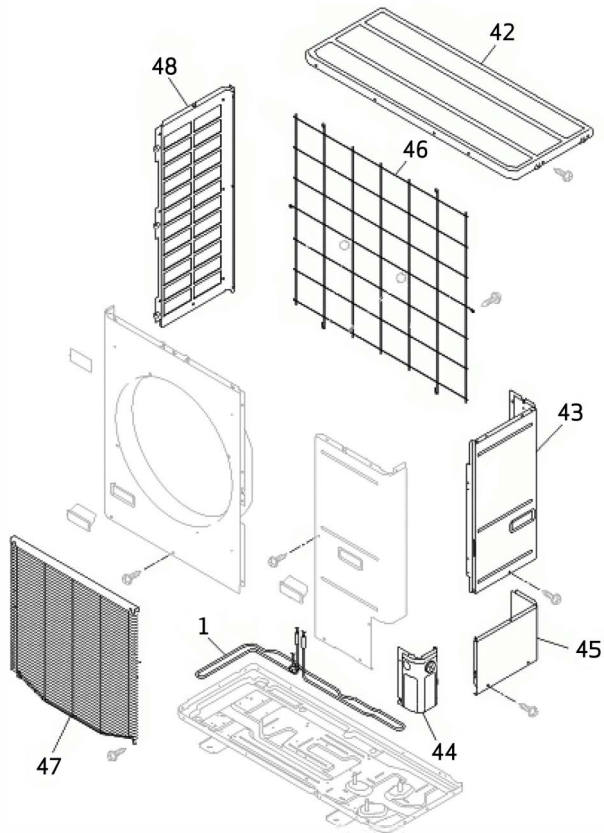
METROAIR L8



METROAIR L12

Pos. nr.	Description	METRO nr.
1	HEATER ASSY METROAIR L12	8156450880
2-15	HEAT EXCH. ASSY METROAIR L12	8156450881
16	VALVE,SERVICE METROAIR L12	8156450882
17	VALVE ASSY,SERVICE METROAIR L12	8156450883
18	VALVE,CHECK METROAIR L12	8156450884
19	SWITCH,HP METROAIR L12	8156450885
20	SENSOR,LP METROAIR L12	8156450886
21-22	VALVE ASSY,EXP(HEAT) METROAIR L12	8156450887
23-25	VALVE ASSY,EXP(COOL) METROAIR L12	8156450888
25	VALVE,SERVICE(3/8") METROAIR L12	8156450889
26	FAN,PROPELLER METROAIR L12	8156450890
27	MOTOR,DC METROAIR L12	8156450891
28	COMPRESSOR ASSY METROAIR L12	8156450892
29	HEATER ASSY(CRANK) METROAIR L12	8156450893
30	PWB 1 ASSY METROAIR L12	8156450894
31	PWB 2 ASSY (INV.) METROAIR L12	8156450895
32	PWB 3 ASSY (CONTROL) METROAIR L12	8156450896
33	SENSOR ASSY 1 METROAIR L12	8156450897
34	SENSOR ASSY 2 METROAIR L12	8156450898
35	SENSOR ASSY 3 METROAIR L12	8156450899
36	IC(ACTIVE CONVERTER) METROAIR L12	8156450900
37	REACTOR METROAIR L12	8156450901
38	CAPACITOR METROAIR L12	8156450902
39	DIODE(STACK) METROAIR L12	8156450903
40	FUSE(CURRENT) METROAIR L12	8156450904
41	FUSE(CURRENT) METROAIR L12	8156450905
42	PANEL ASSY, TOP METROAIR L12 (LIGHT GREY)	8156450906
43	PANEL ASSY, REAR METROAIR L12 (LIGHT GREY)	8156450907
44	COVER, FRONT METROAIR L12 (LIGHT GREY)	8156450908
45	COVER, SIDE METROAIR L12 (LIGHT GREY)	8156450909
46	GUARD, FIN METROAIR L12 (LIGHT GREY)	8156450910
47	GUARD, FAN METROAIR L12 (LIGHT GREY)	8156450911
48	PANEL, SIDE(L) METROAIR L12 (LIGHT GREY)	8156450912

METROAIR L12





METRO THERM A/S
RUNDINSVEJ 55
DK3200 HELSINGE
INFO@METROTHERM.DK
WWW.METROTHERM.DK