

## Technische Daten/ Technical Data

### KLUDI NOVA FONTE

concealed wall mounted basin mixer 220

DN 15

Style: PURA

Ref.: 20245N115

Finishes:

N1 Brushed Bronze PVD

Product description

Manufacturer KLUDI GmbH & Co. KG

Typ: KLUDI NOVA FONTE

concealed wall mounted basin mixer 220

Ref.: 20245N115

wall mounted basin mixer

concealed 2-hole basin mixer

projection 220mm

single lever mixer

trim set without pre-installation set

for pre-installation set KLUDI Ref.: 38242

solid lever, metal

aerator, S-Pointer M18,5 PCA

flow rate at 3 bar 4,5 l/min.

fixed spout

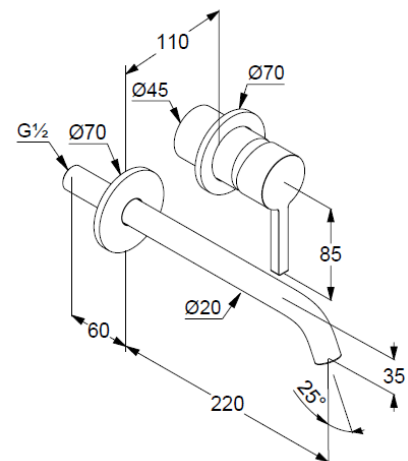
EU taxonomy: max. 6 l/min. -

Substantial Contribution (SC) possible

### Produktabbildung/ Product picture



### Maßzeichnung/ Dimensional drawing



### Durchfluss/ Flow rate

