

— ComfortLine A and B cabinets

End of Life Instruction

Decommissioning instructions available to enable responsible recycling or disposal



PREPARED 2025-03-20 Matthias Kratzke	DOCUMENT KIND EoL Instructions	SECURITY LEVEL Public		
OWNING ORGANIZATION ABB - ELSB	DOCUMENT ID. 2CPC200001E0201	REV. A	LANG. en	PAGE 1/6

Contents

- 1. Purpose and Basic Description 3**
- 2. Dismantling instructions 4**
- 3. Constituent materials 4**
 - 3.1. Constituent materials A-Cabinet 4
 - 3.2. Constituent materials B-Cabinet 4
- 4. Additional Information.....5**

1. Purpose and Basic Description

The product family must be disposed according to the legislation of the country. This end-of-life instruction is intended for use by customers and recycling companies which outline the responsible recycling or disposal method of the ABB product.

The ComfortLine wall-mounting cabinets are empty cabinets designed only for internal use, prepared to be fitted with distribution board panels, combination sets and CombiLine-M modules on the EDF mounting frame.



Warning!

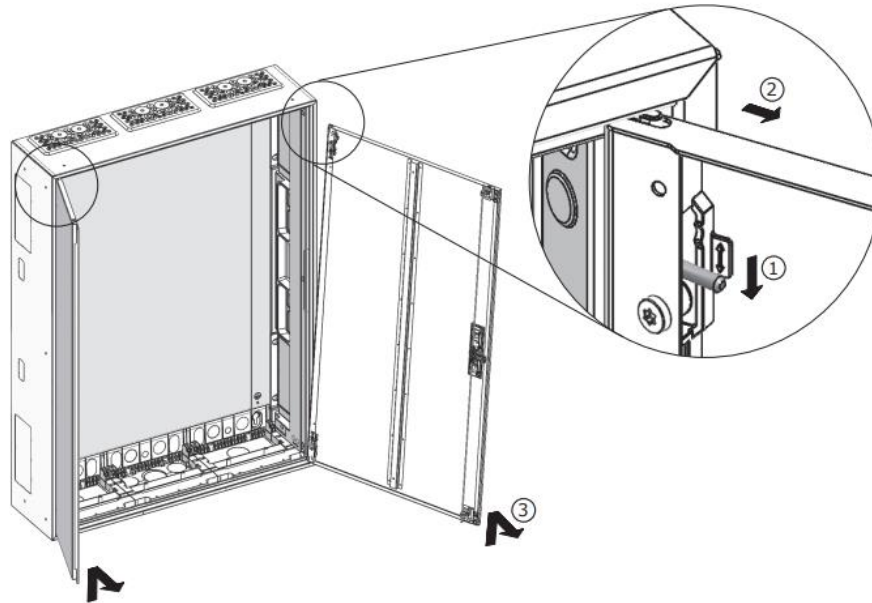
Risk of Crushing Injuries during the uninstillation and dismantling of ComfortLine A and ComfortLine B cabinets.

- Ensure the entire dismantling area is suitable.
- Pay attention to weight, dimensions, and load distribution.
- Always secure the cabinets using appropriate aids and lifting equipment. The load must always be secured.
- For empty cabinets, remember that the center of gravity shifts when the door is opened, which can cause the cabinet to tip over easily.

2. Dismantling instructions

The first step, applicable to all cabinets, is to remove the doors. As shown in the figure below, move the latch downwards (1), then pull the door slightly outward (2), and finally pull the door, rotating it slightly to remove it from its position (3).

Repeat the process with the second door.



3. Constituent materials

3.1. Constituent materials A-Cabinet

Plastics		Metals		Packaging	
PP	1,6%	Steel	77,6	Other nec	4,9%
GFRP	0,2%			Cardboard	3,9%
Others	11,1%			Wood	0,7%

*% of total weight for sample A39

3.2. Constituent materials B-Cabinet

Plastics		Metals		Packaging	
PP	1,6%	Steel	79.5%	Other nec	5,0%
GFRP	0,2%	Copper	0,2%	Cardboard	4,0%
Others	8,8%			Wood	0,7%

*% of total weight for sample B39

4. Additional Information

Height [mm]	Width [mm]	Depth [mm]	Type	Weight [kg]	Type	Weight [kg]
500	300	215	A13	6,8	B13	6,7
500	550	215	A23	9,9	B23	9,8
500	800	215	A33	13,3	B33	13,2
650	300	215	A14	8,2	B14	8,1
650	550	215	A24	11,7	B24	11,6
650	800	215	A34	15,7	B34	11,5
650	1050	215	A44	19,2	B44	18,9
650	1300	215	A54	23,3	B54	22,9
800	300	215	A15	9,5	B15	9,4
800	550	215	A25	13,6	B25	13,4
800	800	215	A35	18,1	B35	17,8
800	1050	215	A45	22,2	B45	21,8
800	1300	215	A55	26,3	B55	25,8
950	300	215	A16	11,0	B16	10,8
950	550	215	A26	16,0	B26	15,7
950	800	215	A36	21,2	B36	20,8
950	1050	215	A46	25,8	B46	25,3
950	1300	215	A56	30,9	B56	30,2
1100	300	215	A17	12,4	B17	12,3
1100	550	215	A27	17,5	B27	17,1
1100	800	215	A37	22,5	B37	22,6
1100	1050	215	A47	29,6	B47	29,0
1100	1300	215	A57	34,9	B57	34,0

Height [mm]	Width [mm]	Depth [mm]	Type	Weight [kg]	Type	Weight [kg]
1250	300	215	A18	13,9	B18	13,7
1250	550	215	A28	19,4	B28	19,0
1250	800	215	A38	25,6	B38	25,0
1250	1050	215	A48	32,7	B48	31,9
1250	1300	215	A58	38,5	B58	37,4
1400	300	215	A19	15,2	B19	14,9
1400	550	215	A29	21,2	B29	20,7
1400	800	215	A39	27,9	B39	27,2
1400	1050	215	A49	35,3	B49	34,4
1400	1300	215	A59	41,5	B59	40,3