

10. Exploded view and spare parts

The parts of the air heater are shown in an exploded view in figure 16. The table below describes each part and shows the correct article number for a replacement part.

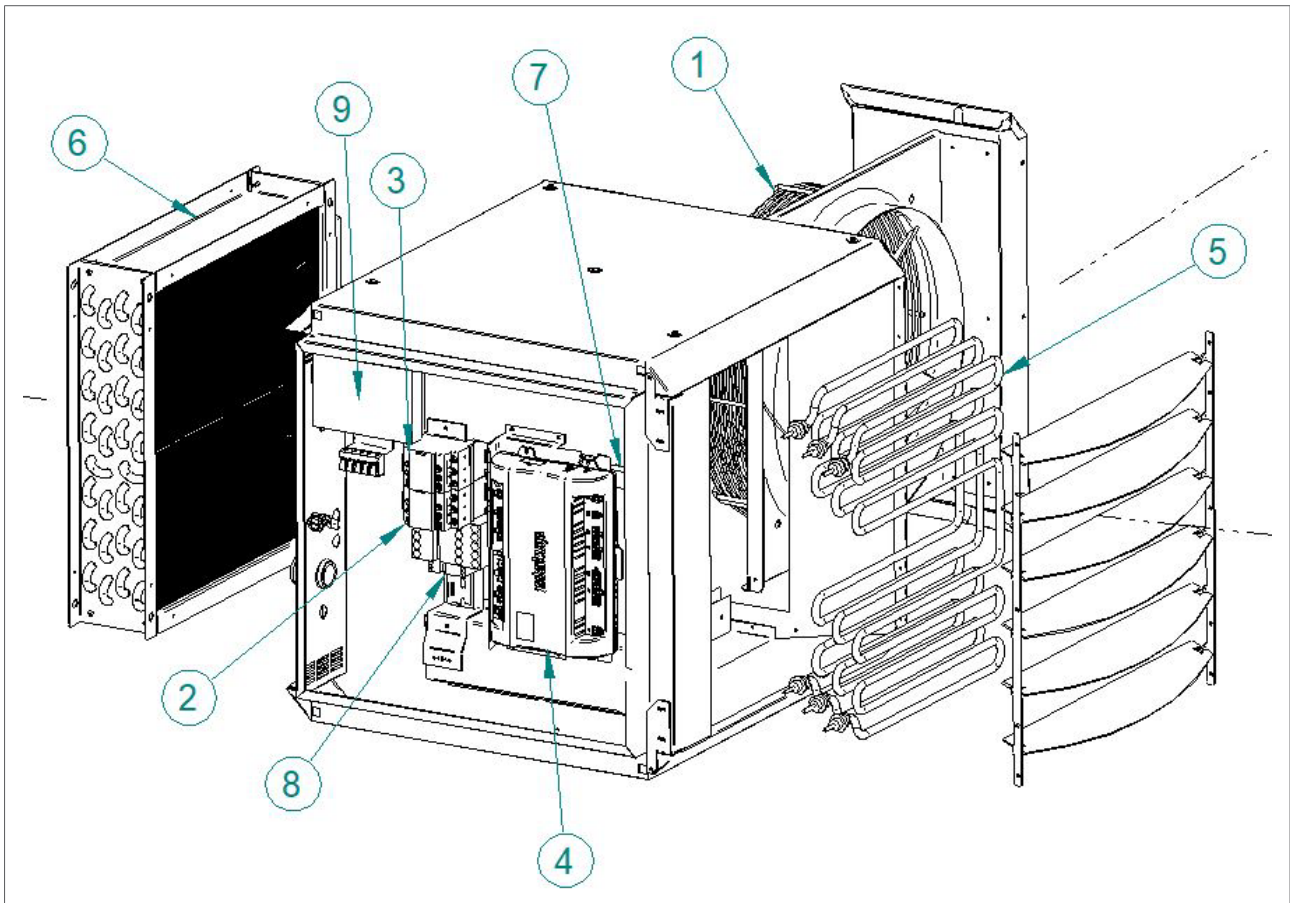


Figure 16 - Exploded view of the QSE

No.	Description	QSE6 + 10	QSE12 + 30	QSE16 + 5	QSE16 + 10	QSE16 + 15	QSE16 + 20	QSE16 + 30	QSE16 + 40
1	EC system fan	GX4223	GX4225	GX4225 (2×)	GX4225 (2×)	GX4225 (2×)	GX4225 (2×)	GX4225 (2×)	GX4225 (2×)
2	Relay	IE5201	IE5201	IE5201	IE5201	IE5201	IE5201	IE5201	IE5202
3	Relay	IE5201	IE5201	IE5201	IE5201	IE5201	IE5201	IE5202	IE5202
4	Burner control unit	GE5903	GE5903	GE5903	GE5903	GE5903	GE5903	GE5903	GE5903
5	Heating element 2.5 kW	-	-	IE5209 (2×)	-	IE5209 (6×)	-	-	-
5	Heating element 2.5 kW	-	-	-	-	-	-	-	-
5	Heating element 3.3 kW	-	IE5211 (9×)	-	IE5211 (3×)	-	IE5211 (6×)	IE5211 (9×)	IE5211 (12×)
5	Heating element 3.3 kW	IE2512 (3×)	-	-	-	-	-	-	-
6	Heat exchanger	IH4024	IH4026	IH4028	IH4028	IH4028	IH4028	IH4028	IH4028
7	Modbus controller	IW8010	IW8010	IW8010	IW8010	IW8010	IW8010	IW8010	IW8010
8	Power supply (24 V)	IW8022	IW8022	IW8022	IW8022	IW8022	IW8022	IW8022	IW8022
9	Heat pump interface	IW8024	IW8024	IW8024	IW8024	IW8024	IW8024	IW8024	IW8024
	Heat exchanger sensor	GE3900	GE3900	GE3900	GE3900	GE3900	GE3900	GE3900	GE3900
	Delta-T sensor	GY3931	GY3931	GY3931	GY3931	GY3931	GY3931	GY3931	GY3931