



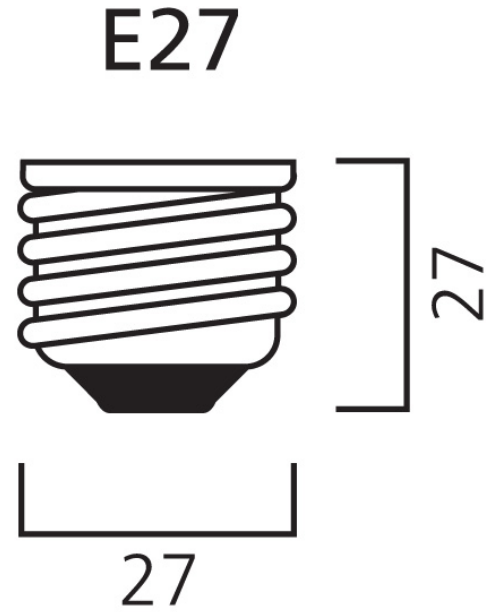
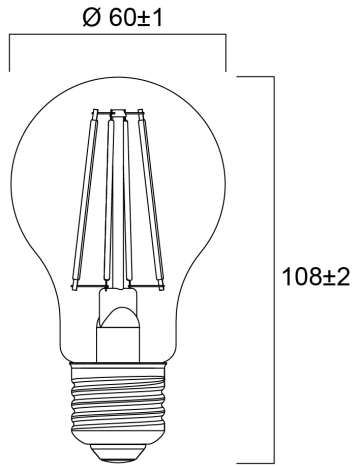
## Features

- Perfect for decorative and general lighting applications and creates a warm ambiance similar to traditional lamps Same look, size and functionality as incandescent lamps Omni-directional light distribution Suitable replacement for incandescent and halogen lamps Gives same sparkling light effect as incandescent lamp Dimensionally identical to incandescent lamps - fits all fixtures Environment friendly - no mercury and lower CO2 emissions

## Product Overview

Product name	ToLEDo RT GLS V5 CL 806LM 840 E27 SL
Technology	LED
Watt (Rated) (W)	7
Cap/Base	E27
Fixture rating	Open
E-number FI	4740910
Colour temperature (K)	4000
CRI (Ra)	80
Colour Variation Initial (SDCM)	6
Photobiological Risk Group	RG1
Wattage (W)	7
Product EAN number	5410288293295
Warranty	3 years

## Technical drawings



## Data table

### GENERAL DATA

Product name	ToLEDo RT GLS V5 CL 806LM 840 E27 SL
Technology	LED
Watt (Rated) (W)	7
Cap/Base	E27
Fixture rating	Open
Operating temperature range (°C)	-20°C...+40°C
Performance ambient temperature Tq (°C)	25
E-number FI	4740910
Warranty	3 years

### OPTICAL DATA

## ToLEDo RT GLS V5 CL 806LM 840 E27 SL 0029329

Luminous flux (Rated) (lm)	806
Colour temperature (K)	4000
CRI (Ra)	80
Colour Variation Initial (SDCM)	6
Photobiological Risk Group	RG1
Lumen maintenance at end of nominal life (%)	70

### ELECTRICAL DATA

Wattage (W)	7
Equivalent watt (W)	60
Primary Supply/Product voltage - min (V)	220
Control gear required	No
Inrush Current (A)	0.19
Inrush Duration ( $\mu$ s)	73
Lamp Energy Label (class)	E
Nominal Frequency (Hz)	50/60Hz

### LIFETIME DATA

Lifespan L70 B50	15000
Average life (Rated) (h)	15000

### PHYSICAL DATA

Nominal Product Length (mm)	108
Nominal Product Diameter (mm)	60
Weight (kg)	0.03

### PACKAGING

Single packaging type	Carton
Product EAN number	5410288293295
Packaging single width (cm)	6.6
Packaging single depth (cm)	12.0
DUN14 (outer)	15410288293292

# SYLVANIA

ToLEDo RT GLS V5 CL 806LM 840 E27 SL  
0029329

Packaging outer length / height (cm)	20.6
--------------------------------------	------

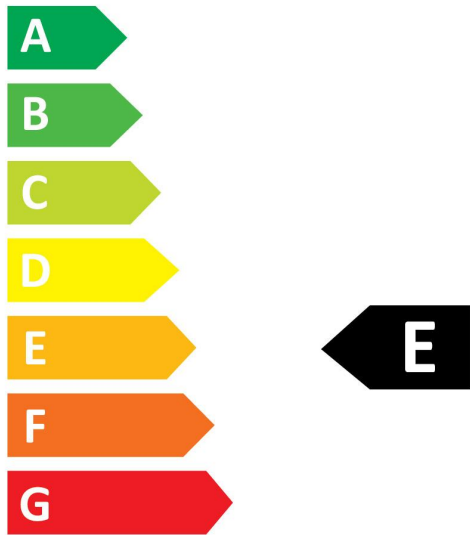
## SAFETY DATA

Optimal operating condition (°C)	-20-40
Breakage cleaning instructions	Not applicable
Special purpose lamp	No
Dry applications use only	No
Suitable for household illumination	No
Safety message	Not Suitable for totally enclosed fixtures

## Energy label



0029329



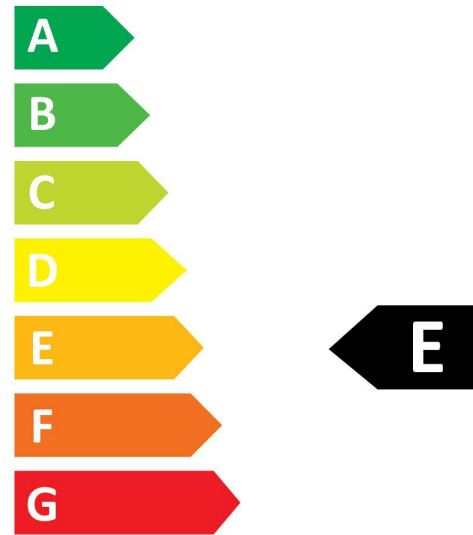
7  
kWh/1000h



2019/2015



0029329



7  
kWh/1000h



2019/2015

Light your world