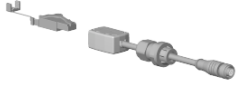


90 10 01 012 00 90





Plug with screw connection 8-pin with 25m cable 290 x 205 x 90 mm -

SPARE PARTS

90 10 01 012 00 90

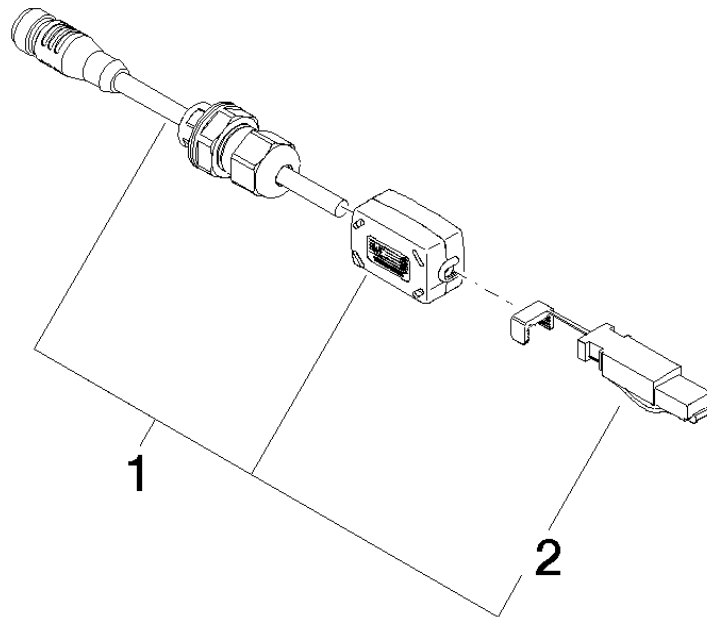


Plug with screw connection 8-pin with 25m cable 290 x 205 x 90 mm -

SPARE PARTS

90 10 01 012 00 90

90 10 01 012 00 90



Spare parts list

No.	Item Number	Name	Quantity used	Delivery time
2	04 10 01 014 00 90	Plug RJ45 connector electronic -	1.00	14