

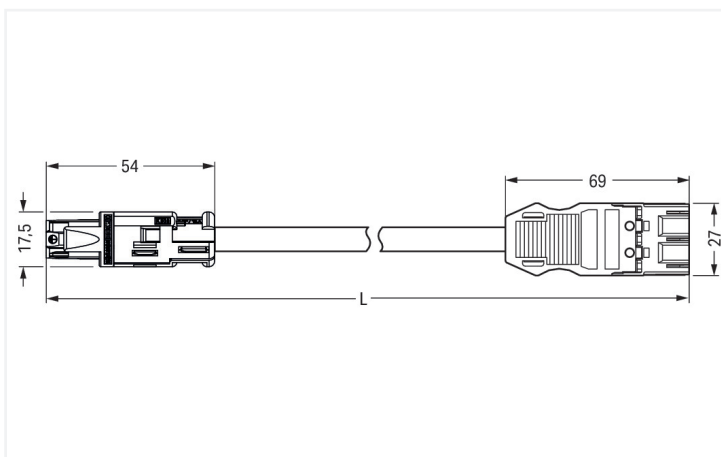
**Data Sheet | Item Number: 774-9973/1516-105**

pre-assembled adapter cable; Eca; Socket/plug MIDI; 3-pole; Cod. S; H05Z1Z1-F  
3x1,5 mm<sup>2</sup>; 1 m; 1,50 mm<sup>2</sup>; brown

<https://www.wago.com/774-9973/1516-105>



Color: ■ brown



Dimensions in mm

**Cable assembly WINSTA® RD 3-pole**

The WINSTA® RD cable assembly 3-pole supports fast, reliable installation. Whether on PCBs, in control cabinets or for connecting lights – pluggable installation connectors from WAGO allow you to establish connections according to many different requirements in seconds. The coding options reduce installation errors, allowing fast, maintenance-free wiring of all components. The pluggable installation connector offers protection against contact with

live components in accordance with protection type IP20 (When mated: IP2xC (These compact connectors are not designed for use in open, easily accessible areas!)). The WINSTA® RD offers a round design that is very good for installation in conduits with an inner diameter of 20 mm, for example in construction of prefabricated houses. Of course, the safety of buildings must always be ensured, even after the electrical installation has been performed. The required safety requirements in connection with EU CPR are met by this product through fire class E. In the production of this cable assembly, we eliminated the use of halogen. That is an important contribution to climate protection.

Fast, error-free assembly thanks to cable assemblies from WAGO

A RD socket and a MIDI plug are available. WINSTA® is the pluggable connection system that is perfectly tailored to the strict requirements of electrical installation. It allows fast, secure and, above all, error-free installation of components and cables. Now you can also lower installation expenses without compromising safety and quality: with strain relief hosting reduces the need for servicing and prevents unnecessary downtime.

- protection against mismatching eliminates errors
- saves time, since no wiring is required at the construction site
- with S coding for AC applications of distributed components
- custom-engineered solutions
- convenient installation and commissioning

## Notes

Note Cables with a different fire class can be found in the eShop.

## Electrical data

Ratings per	IEC/EN 60664-1		
Overvoltage category	III	III	II
Pollution degree	3	2	2
Nominal voltage	250 V	-	-
Rated impulse withstand voltage	4 kV	-	-
Rated current	16 A	-	-

## General information

Note on contact resistance approx. 1 mΩ of contact resistance  
approx. 0.25 mΩ contact transition plug/ socket

## Connection Data

Total number of potentials 3

## Connection 1

Pole number 3  
Wire cross-section 1.5 mm<sup>2</sup>  
Connection type RD socket - MIDI plug

## Physical data

Width 27 mm / 1.063 inches  
Height 17.5 mm / 0.689 inches  
Total length 1 m

## Mechanical data

Use Switching function  
Coding S  
Variable coding No  
Marking 1 2 L  
Potential marking L 2 1  
Mating force of a plug-in connection Approx. 30 ... 70 N (depending on pole number)  
Retention force of a plug-in connection when locked: > 80N  
Unmating force of a plug-in connection Unlocked: approx. 30 ... 70 N (depending on pole number)  
Number of mating cycles 200, without resistive load  
Connection type RD socket - MIDI plug  
Type of pre-assembled cable Adapter cable  
Cable type H05Z1Z1-F 3x1.5

### Mechanical data

Protection type	IP20; When mated: IP2xC (These compact connectors are not designed for use in open, easily accessible areas!)
-----------------	---

### Plug-in connection

Mismating protection	Yes
Note on mismating protection	All <i>WINSTA</i> ® components are 100% protected against mismating when: a.) plugging different numbers of poles b.) plugging while incorrectly rotated c.) plugging while laterally staggered
Locking of plug-in connection	Locking lever

### Material data

Note (material data)	<a href="#">Information on material specifications can be found here</a>
Color	brown
Insulation material (main housing)	Polyamide (PA66)
Fire class per EN 50575	E <sub>ca</sub>
Contact material	Copper or copper alloy; surface-treated
Contact Plating	Tin
Fire load	28.957 MJ
Connector color	brown
Strain relief color	black
Sheathed cable color	black
Printing color of sheathed cable	white
Halogen-free	Yes
Silicon-free	Yes
Sheath material	Halogen-free
Rubber cable	No
Weight	112.2 g
Copper weight of the raw cable	0.043 kg/m

### Environmental requirements

Processing temperature	-5 ... +40 °C
Continuous operating temperature	-35 ... +85 °C
Note on continuous operating temperature	Cable for temperatures ≤ 70 °C (including halogen-free) Insulating parts for temperatures ≤ 105 °C

### Commercial data

PU (SPU)	1 pcs
Packaging type	unpacked
Country of origin	DE
GTIN	4055143522779
Customs tariff number	85444290900

**Product Classification**

UNSPSC	26121629
eCl@ss 10.0	27-44-06-04
eCl@ss 9.0	27-44-06-04
ETIM 9.0	EC002587
ETIM 10.0	EC002587
ECCN	NO US CLASSIFICATION

**Environmental Product Compliance**

RoHS Compliance Status	Compliant, No Exemption
------------------------	-------------------------

**Approvals / Certificates**

**General approvals** **Declarations of conformity and manufacturer's declarations**



Approval	Standard	Certificate Name
CCA DEKRA Certification B.V.	EN 61535	NTR NL-7969
CCA DEKRA Certification B.V.	EN 61984	NTR NL-7848
KEMA/KEUR DEKRA Certification B.V.	EN 61535	71-123229
KEMA/KEUR DEKRA Certification B.V.	EN 61984	71-114944

Approval	Standard	Certificate Name
EU-Declaration of Confor- mity WAGO GmbH & Co. KG	-	-
UK-Declaration of Confor- mity WAGO GmbH & Co. KG	-	-

**Downloads**

**Environmental Product Compliance**

**Compliance Search**

Environmental Product Compliance 774-9973/1516-105	↓
---	---

**Documentation**

**Bid Text**

774-9973/1516-105	19.02.2019	xml 2.97 KB	↓
774-9973/1516-105	19.02.2015	doc 24.00 KB	↓

## CAD/CAE-Data

### CAE data

WSCAD Universe  
774-9973/1516-105



## 1 Compatible Products

### 1.1 Required Accessories

#### 1.1.1 Cover

##### 1.1.1.1 Cover



**Item No.: 770-360**

Lockout cap; for plugs; 5-pole; separable; yellow

#### 1.1.2 Locking system

##### 1.1.2.1 Locking system



**Item No.: 770-101**

Locking lever; for flying leads; for manual operation; black



**Item No.: 770-121**

Locking lever; for flying leads; for manual operation; white



**Item No.: 770-111**

Locking lever; for flying leads; for tool operation; black



**Item No.: 770-131**

Locking lever; for flying leads; for tool operation; white

## 1.2 Optional Accessories

### 1.2.1 Coding

#### 1.2.1.1 Coding



**Item No.: 770-401**

Coding pin; for plugs; Plastic; gray