

LOOP-IN LOOP-OUT WIRING BOX 5-WAY ACCESSORY

Item No: 0079402

SYLVANIA

PRO

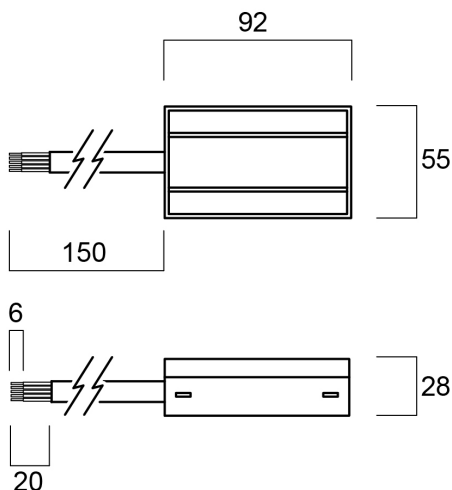
**CE UK
CA**



Loop In - Loop Out 5-way wiring box

Technical Assets

Dimensions (mm)



Photometrics

General data

Product name	LOOP-IN LOOP-OUT WIRING BOX 5-WAY ACCESSORY
Technology	Accessory
Environment	Indoor
General application	Retail
ETIM Class	EC002556
Warranty	3 years

Physical data

Housing colour	Black
Nominal Product Length (mm)	92
Nominal Product Width (mm)	55
Nominal Product Height (mm)	28
Weight (kg)	0.072

LOOP-IN LOOP-OUT WIRING BOX 5-WAY ACCESSORY

Item No: 0079402

SYLVANIA

Packaging

Product EAN number	5410288794020
Packaging single length / height (cm)	7.2
Packaging single width (cm)	5.5
Packaging single depth (cm)	2.8
DUN14 (inner)	15410288794027
Units per outer package	120
Packaging outer length / height (cm)	67.0
Packaging outer width (cm)	58.0
Packaging outer depth (cm)	35.0