

# Technical data sheet

## T100 junction box, WAGO, single-phase

Item number: 2007790



Junction box with WAGO sockets, 3-pin. 6x black for the connection of cables indoors and in protected outdoor areas. Rectangular design with knock-out entries to the sides and knock-out entries in the bottom. Suitable for wall and ceiling mounting and on mounting panels. With the option of fastening inside and to mount via the corner domes. Cover with quick lock, sealable. Made from halogen-free and UV-resistant materials.

Junction box according to DIN EN 60670. Flame-resistant to DIN EN 60695/2/11, test temperature 650 °C.

Clear internal dimensions: 136x102x57 mm



**PP** Polypropylene

### Master data

Item number	2007790
Type	T 100 WWB 6SW
Description 1	Junction box
Description 2	WAGO connectors, 3pole, 6x black
Manufacturer	OBO
Dimension	150x116x67
Colour	Light grey; RAL 7035
Material	Polypropylene
Smallest sales unit	1
Unit of quantity	Piece
Weight	29.5 kg
Weight unit	kg/100 pc.
CO2 Footprint (GWP) Cradle-to-Gate	0,7031 kg CO2e / 1 Piece

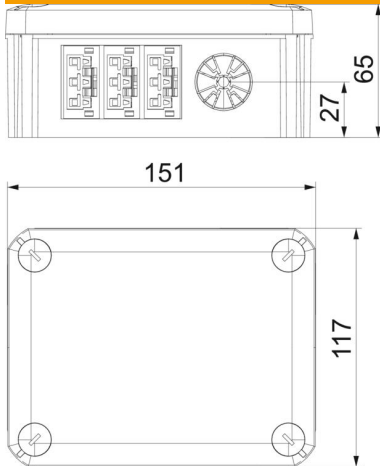
# Technical data sheet

## T100 junction box, WAGO, single-phase

Item number: 2007790

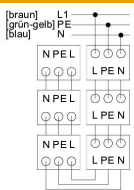


### Dimensions



Length	150 mm
Width	116 mm
Height	67 mm

### Technical data



Expandable	yes
No. of entries	4
Type of entry	Strain relief entries for direct penetrations for cable diameters of 7–21 mm
Type of housing penetration	Pre-marking
Measured insulation voltage $V_i$	500 V
Equipment	Miscellaneous
Cover	Not transparent
Cover fastening	Screwed
Entries	4
Explosion-tested version	no
Flame-resistant	acc. to VDE 0471/DIN 695 Part 2-1, test temperature 650°C
Shape	Rectangular
For Ex zone	Without
For Ex zone gas	Without
For Ex zone dust	Without
Halogen-free	yes
Clear internal dimensions	136x102x57 mm
With screening	no
with lid	yes
Nominal cross-section, min.	2.5 mm <sup>2</sup>
Nominal voltage	500 V
Sealable	yes
Protection rating	IP20
Permitted temperature range, max.	65 °C
Permitted temperature range, min.	-25 °C
Transparent lid	no
Weatherproof	no