

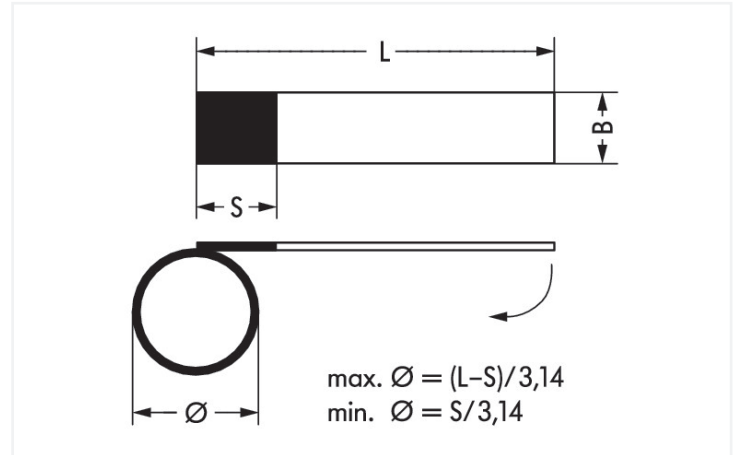
Data Sheet | Item Number: 211-151

Self-laminating labels; white

<https://www.wago.com/211-151>



Color: ■ white



Dimensions in mm
Dimensions of self-laminating label

Technical data

Suitable	for max. 14 mm cable diameter
Marking method	Laser printing
Marking	plain
Delivery form	DIN A4 card
Delivery form configuration	32 labels/sheet

Physical data

Depth	0.15 mm
Marking surface	13 x 21 mm

Mechanical data

Mounting type	Wrapping
---------------	----------

Material data

Color	white
Material	Polyester
Halogen-free	Yes
Weight	11 g
Fire load	0 MJ

Environmental requirements

Ambient temperature (storage)	+10 ... +25 °C
Ambient temperature (operation)	-40 ... +150 °C
Relative humidity	40 ... 50 %

Commercial data

Product Group	2 (Terminal Block Accessories)
PU (SPU)	25 pcs
Packaging type	Box
Country of origin	GB
GTIN	4045454486174
Customs tariff number	39199080888

Product Classification

UNSPSC	55121612
eCl@ss 10.0	27-40-06-29
eCl@ss 9.0	27-40-06-29
ETIM 9.0	EC001288
ETIM 10.0	EC001288
ECCN	NO US CLASSIFICATION

Environmental Product Compliance

RoHS Compliance Status	Compliant, No Exemption
------------------------	-------------------------

Downloads**Environmental Product Compliance****Compliance Search**Environmental Product
Compliance 211-151