

Wall mounted receptacle

Part number: 584



MENNEKES
Elektrotechnik GmbH & Co. KG

Aloys-Mennekes-Straße 1
57399 Kirchhundem
GERMANY

www.MENNEKES.org

Product Description

- screw connection technology
- internal fixing
- 25° inclination
- enclosure can be turned 180°

Technical Details

Wall mounted receptacle	584
Ampere	16A
Number of poles	3p
Nominal voltage AC	20 - 25V
Nominal frequency	50 - 60 Hz
Protection type IP	IP44
Contact carrier	standard
X-CONTACT	no
Connection	screw terminals
Contact screw drive	PZ2, slot
Screw drive external screws	PZ2, slot
Pilot contact	without pilot contact
Pilot contact switch	no
Cable entry at the top	1 x M25
Cable entry at the bottom	2 x M25 (blind)
Blind cable entry at the rear	no
Enclosure base can be turned 180°	yes
Insertion direction	angled
Inclination	25°
Type of mounting	internal fixing
Highly resistant to chemicals	no
Military version	no
Lockable	no
Tightening torque connection terminal for cable cross-section 1,0 - 1,5 mm ²	0.6 Nm
Tightening torque connection terminal for cable cross-section 2,5 - 4,0 mm ²	0.8 Nm

Wall mounted receptacle	584
Tightening torque connection terminal for cable cross-section 6 - 10 mm ²	1.2 Nm
Strip length solid conductor	12 - 17 mm
Conductor cross-section min.	4 mm ²
Conductor cross-section max.	10 mm ²
Weight (net)	273 g
Packaging unit	10 pcs
Quantity per pallet	540 pcs
EAN / identification number	4015394004288

Permissible ambient conditions		
	Min.	Max.
Permissible ambient temperature	-25 °C	40 °C
Average temperature over 24 hours		35 °C

Material properties	
Base	PA6 light grey [similar RAL 7035]
Upper part	PA6 purple [similar RAL 4001]
Hinged lid	PA6 purple [similar RAL 4001]
External screws	steel galvanised

Material resistance

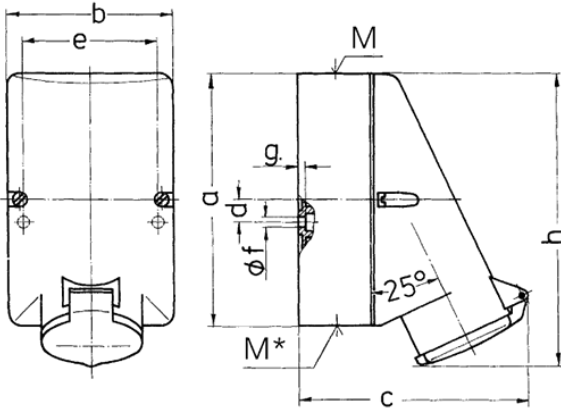
The material resistance overview can be found on the website in the section “Knowledge” - “Product knowledge” - “Materials”.

Material and environmental properties	
RoHS 2011/65/EU incl. 2015/863/EU	✓
POP regulation (EU) 2019/1021	✓
Halogen-free	yes

Regulations and Standards

Norm	DIN EN IEC 60309-2
Declaration of Conformity	CE
Test label	EAC

Dimensional Drawing



Drawing 1 MB 137	Amp. Poles	16		32	
		2	3	2	3
Dim. in mm	a	128	128	128	128
	b	84	84	84	84
	c	120	120	120	120
	d	11	11	11	11
	e	68	68	68	68
	f	5.3	5.3	5.3	5.3
	g	4	4	4	4
	h	146	146	146	146
	M	25	25	32	32
	M*	2x25 (blind) to be cut out		2x25 (blind) to be cut out	
	Max. cable diam. (mm)	18	18	25	25
	Terminal for cond. cross section (mm ²) min.-max.	4 —2x6	4 —10	4 —2x6	4 —10