

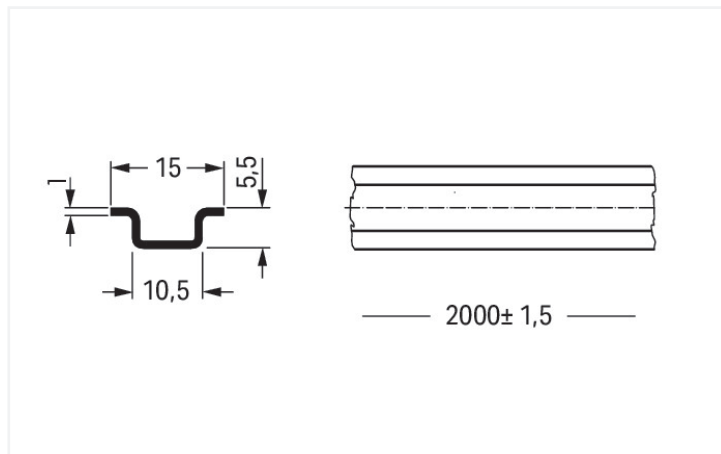
Data Sheet | Item Number: 210-295

Steel carrier rail; 15 x 5.5 mm; 1 mm thick; 2 m long; unslotted; according to EN 60715; silver-colored

<https://www.wago.com/210-295>



Color: ■ silver-colored



Dimensions in mm

Physical data

Width	2000 mm / 78.74 inches
Height	5.5 mm / 0.217 inches
Depth	15 mm / 0.591 inches

Material data

Color	silver-colored
Fire load	0 MJ
Weight	330 g

Commercial data

Product Group	2 (Terminal Block Accessories)
PU (SPU)	1 pcs
Packaging type	Box
Country of origin	IT
GTIN	4017332272254
Customs tariff number	72169180000

Product Classification

UNSPSC	30101804
eCl@ss 10.0	27-40-06-02
eCl@ss 9.0	27-40-06-02
ETIM 9.0	EC001285
ETIM 8.0	EC001285
ECCN	NO US CLASSIFICATION

Environmental Product Compliance	
RoHS Compliance Status	Compliant, No Exemption

Downloads

Environmental Product Compliance

Compliance Search	
Environmental Product Compliance 210-295	↓

Documentation

Bid Text			
210-295	19.02.2019	xml 2.64 KB	↓
210-295	31.08.2017	doc 23.50 KB	↓

CAD/CAE-Data

CAD data	
2D/3D Models 210-295	↓

CAE data	
EPLAN Data Portal 210-295	↓
WSCAD Universe 210-295	↓
ZUKEN Portal 210-295	↓

1 Compatible Products

1.1 Optional Accessories

1.1.1 Installation

1.1.1.1 Mounting accessories



Item No.: 249-101
 Screwless end stop; 6 mm wide; for WMB markers; gray

1.1.2 Marking

1.1.2.1 Label



Item No.: 210-808

Labels; for Smart Printer; 9.5 x 25 mm; white



Item No.: 210-708

Labels; for TP printers; 9.5 x 25 mm; white

Installation Notes

DIN-Rail	Item No.	Current [A]	Acc. to mm ² /AWG/Oz
DIN 15 x 5.5 (steel)			
1 mm thick slotted	210-111	57	10/8
1 mm thick unslotted	210-295	57	10/8
DIN 15 x 5.5 (Al)			
1 mm thick unslotted	210-296	57	10/8

Current applies to rails of 1 m/3'3" length