

MC2 90° HORIZ-CORNER EL WHT OPAL

Item No: 2093183

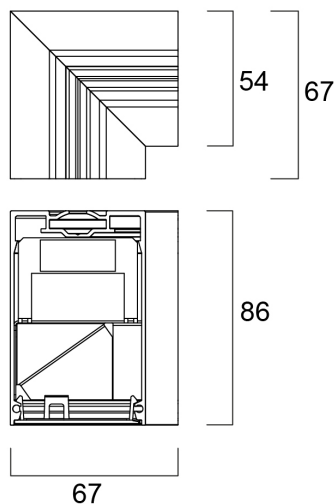
Concord



2093183 MC2 90° HORIZ-CORNER EL WHT OPAL 90 degree horizontal pre-wired corner accessory, white RAL 9016, trimless detail for a seamless finish, diffuser: opal, ideal for creating corners, squares or U-shape continuous line frameworks, suitable for use on Mini Continuum II. Supplied with electrical connection.

Technical Assets

Dimensions (mm)



Photometrics

General data

Product name	MC2 90° HORIZ-CORNER EL WHT OPAL
Technology	Accessory
Accessory type	Mounting
General application	Education, Hospitality, Office, Retail
ETIM Class	EC002556
E-number FI	4170366
Warranty	5 years

Optical data

Colour Variation Initial (SDCM)	SDCM3
---------------------------------	-------

Physical data

IK rating	IK02
Nominal Product Length (mm)	67
Nominal Product Width (mm)	54
Weight (kg)	0.406

MC2 90° HORIZ-CORNER EL WHT OPAL

Item No: 2093183

Concord

Packaging

Product EAN number	5025768931835
Packaging single length / height (cm)	15.5
Packaging single width (cm)	17.5
Packaging single depth (cm)	18.0
DUN14 (inner)	05025768931835
Units per outer package	1
Packaging outer length / height (cm)	15.5
Packaging outer width (cm)	17.5
Packaging outer depth (cm)	18.0